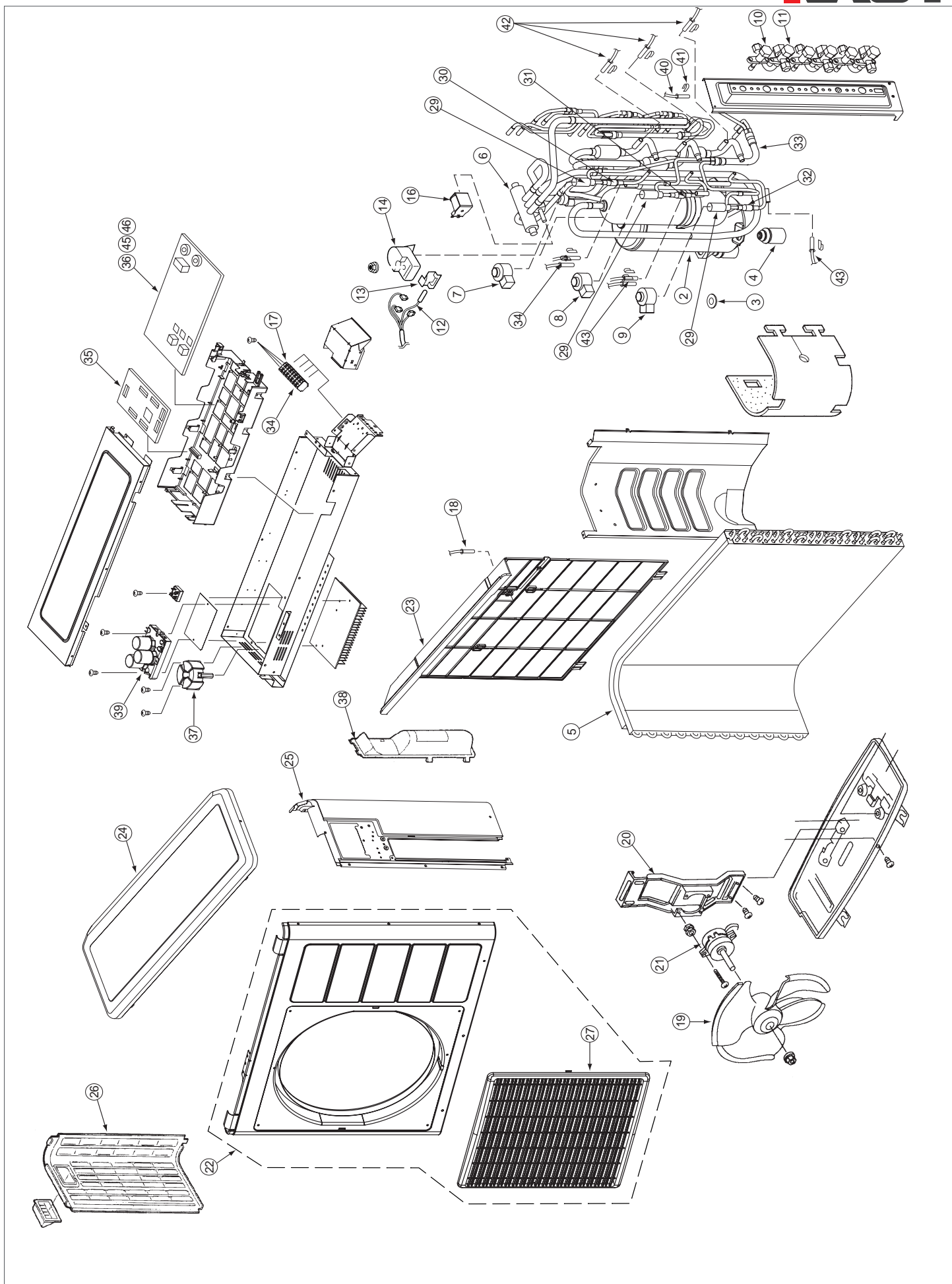


NQ.	PARTNO.	Q'TY/ UNIT	PARTS NAME
2	PMRAM-35QH5 S01	1	COMPRESSOR
3	KPNT1 001	3	PUSH NUT
4	RAC-2226HV 805	3	COMPRESSOR RUBBER
5	PMRAC-50NH4 S02	1	CONDENSER
6	PMRAC-70YHA1 999	1	REVERSING VALVE
7	PMRAM-65QH4 S04	1	EXPANSION VALVE COIL(W)
8	PMRAM-65QH4 S05	1	EXPANSION VALVE COIL(R)
10	PMRAM-65QH4 S15	2	VALVE (2S)
11	PMRAM-65QH4 S16	2	VALVE (3S)
12	PMRAC-40CNH2 S14	1	THERMISTOR (OH)
13	PMRAC-25NH4 S09	1	THERMISTOR SUPPORT (OH)
14	PMRAC-X13CX 906	1	OLR COVER
16	PMRAC-70YHA1 998	1	MG-COIL (REVERSING VALVE)
17	PMRAS-10C6M R02	2	2P TERMINAL FORC-D LINE
18	PMRAM-65QH4 S10	1	THERMISTOR (OUTSIDE TEMPERATURE)
19	PMRAC-70YHA 907	1	PROPELLER FAN
20	PMRAC-40CNH2 S18	1	SUPPORT (FAN MOTOR)
21	PMRAC-40CNH2 S19	1	FAN MOTOR (40W)
22	PMRAM-52QH5 S02	1	CABINET
23	PMRAC-24CP5 904	1	NET
24	PMRAC-40CNH2 922	1	TOP COVER
25	PMRAM-55QH4 S03	1	SIDE PLATE R
26	PMRAC-40CNH2 926	1	SIDE PLATE L
27	PMRAM-52QH5 S03	1	D-GRILL-AS
29	PMRAM-65QH4 S03	2	ELECTRICAL EXPANSION VALVE
31	PMRAM-65QH4 918	1	STRAINER (ST-PIPE-AS 2)
32	PMRAM-65QH4 919	1	STRAINER (ST-PIPE-AS 3)
33	PMRAM-65QH4 920	1	STRAINER (CO-PIPE-AS)
34	PMRAC-07CV1 R06	1	2P TERMINAL FORL-N LINE
35	PMRAM-52QH5 S01	1	P.W.B. (MAIN)
36	PMRAM-55QH4 S02	1	PWB (POWER)
37	PMRAC-18SH4 S01	1	REACTOR
38	PMRAM-55QH4 904	1	SV-COVER
39	PMRAC-40CNH2 S01	1	SYSTEM POWER MODULE (SPM2)
40	PMRAM-55QH4 S05	1	THERMISTOR (DEFROST)
41	PMRAM-65QH4 S07	1	THERMISTOR SUPPORT
42	PMRAM-55QH4 S06	1	THERMISTOR-V (W)
43	PMRAM-55QH4 S06	1	THERMISTOR-V (R)
45	PMRAC-40CNH2 S05	1	FUSE (25A)
46	PMRAM-55QH4 S08	1	FUSE (5A)



NO.	PART NO.	Q'TY/ UNIT	PARTS NAME
2	PMRAM-35QH5 S01	1	COMPRESSOR
3	KPNT1 001	3	PUSH NUT
4	RAC-2226HV 805	3	COMPRESSOR RUBBER
5	PMRAC-50NH4 S02	1	CONDENSER
6	PMRAC-70YHA1 999	1	REVERSING VALVE
7	PMRAM-65QH4 S04	1	EXPANSION VALVE COIL (W)
8	PMRAM-65QH4 S05	1	EXPANSION VALVE COIL (R)
9	PMRAM-65QH4 S06	1	EXPANSION VALVE COIL (B)
10	PMRAM-65QH4 S15	3	VALVE (2S)
11	PMRAM-65QH4 S16	3	VALVE (3S)
12	PMRAC-40CNH2 S14	1	THERMISTOR (OH)
13	PMRAC-25NH4 S09	1	THERMISTOR SUPPORT (OH)
14	PMRAC-X13CX 906	1	OLR COVER
16	PMRAC-70YHA1 998	1	MG-COIL (REVERSING VALVE)
18	PMRAM-65QH4 S10	1	THERMISTOR (OUTSIDE TEMPERATURE)
19	PMRAC-70YHA 907	1	PROPELLER FAN
20	PMRAC-40CNH2 S18	1	SUPPORT (FAN MOTOR)
21	PMRAC-40CNH2 S19	1	FAN MOTOR
22	PMRAM-52QH5 S02	1	CABINET
23	PMRAC-24CP5 904	1	NET
24	PMRAC-40CNH2 922	1	TOP COVER
25	PMRAM-65QH4 S11	1	SIDE PLATE R
26	PMRAC-40CNH2 926	1	SIDE PLATE L
27	PMRAM-52QH5 903	1	D-GRILL-AS
29	PMRAM-65QH4 S03	3	ELECTRICAL EXPANSION VALVE
30	PMRAM-65QH4 917	1	STRAINER (ST-PIPE-AS 1)
31	PMRAM-65QH4 918	1	STRAINER (ST-PIPE-AS 2)
32	PMRAM-65QH4 919	1	STRAINER (ST-PIPE-AS 3)
33	PMRAM-65QH4 920	1	STRAINER (CO-PIPE-AS 1)
34	PMRAC-07CV1 R06	1	2P TERMINAL FOR L-N LINE
35	PMRAM-53QH5 S01	1	P.W.B. (MAIN)
36	PMRAM-55QH4 902	1	PWB (POWER)
37	PMRAC-40CNH2 S08	1	REACTOR
38	PMRAM-65QH4 921	1	SV-COVER
39	PMRAC-40CNH2 S01	1	SYSTEM POWER MODULE (SPM2)
40	PMRAM-65QH4 S12	1	THERMISTOR (DEFROST)
41	PMRAM-65QH4 S07	1	THERMISTOR SUPPORT
42	PMRAM-65QH4 S13	1	THERMISTOR-V (W)
43	PMRAM-65QH4 S14	1	THERMISTOR-V (R)
45	PMRAC-40CNH2 S05	1	FUSE (25A)
46	PMRAM-55QH4 S08	1	FUSE (5A)