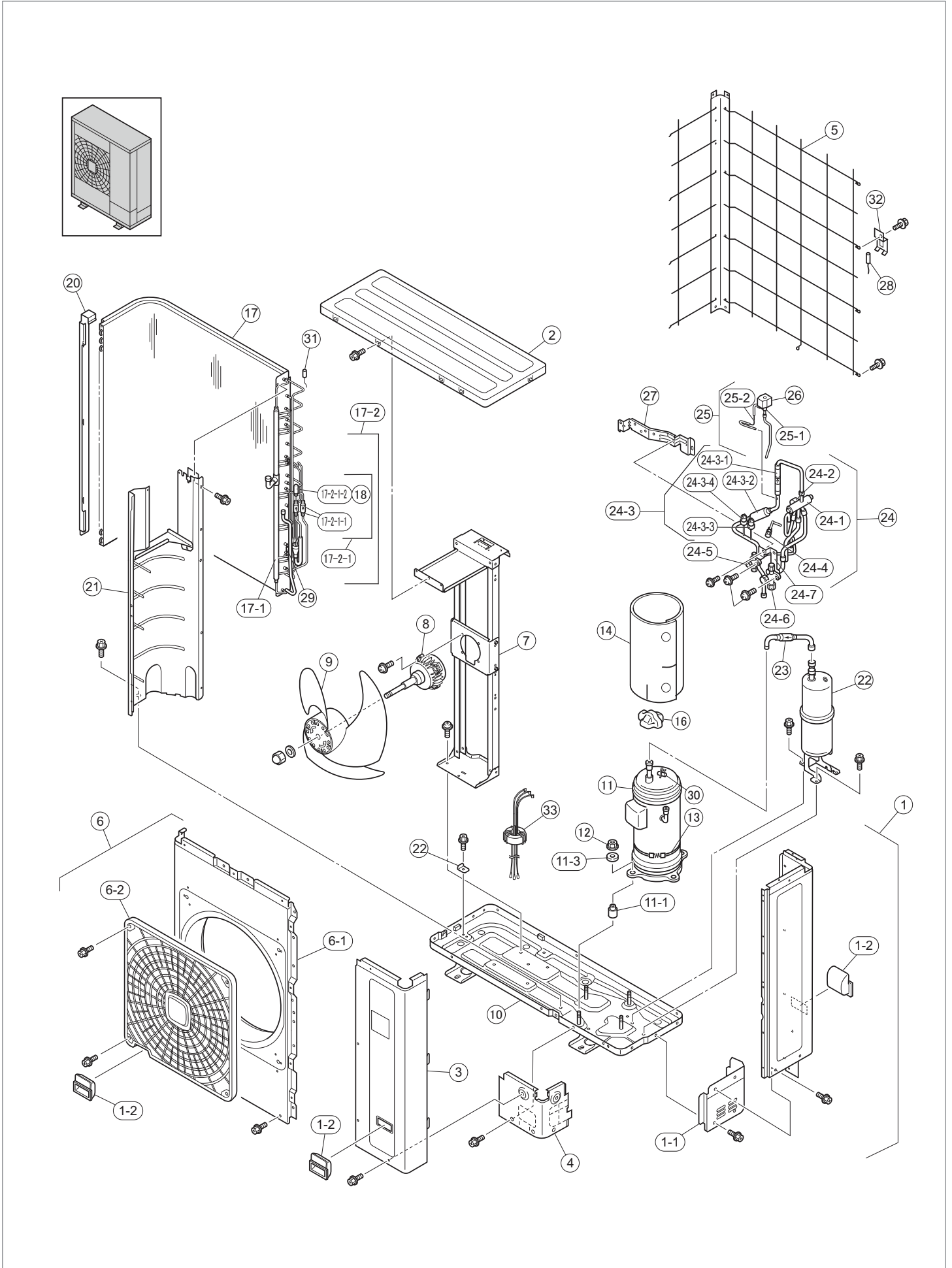


No.	DESCRIPTION	DWG No.	PART No.	MODEL NAME						REMARKS					
				Qty	Qty	Qty	Qty	Qty	Qty						
				PRODUCT CODE											
				RAS-4HVNC1E, 1~ 230V 50HZ	7E305034	RAS-5HVNC1E, 1~ 230V 50HZ	7E305035	RAS-6HVNC1E, 1~ 230V 50HZ	7E305036	RAS-4HNC1E, 3~ 400V 50HZ	7E305134	RAS-5HNC1E, 3~ 400V 50HZ	7E305135	RAS-6HNC1E, 3~ 400V 50HZ	7E305136
1	Rear Cover Assy	XEK24870 A	E03946	1	1	1	1	1	1	1	Assembly				
1-1	Pipe Cover B	17C86251 A	P27003	1	1	1	1	1	1	1					
1-2	Handle	17C71740 A	E01897	3	3	3	3	3	3	3					
2	Upper Cover Assy	XEK24809 A	E03947	1	1	1	1	1	1	1	Assembly				
3	Service Cover M Assy	XEK01362 A	E03948	1	1	1	1	1	1	1	Assembly				
4	M Cover B	17B36514 A	P27002	1	1	1	1	1	1	1	Lower Service Cover				
5	Protection Net	XEK24806 A	E03949	1	1	1	1	1	1	1					
6	Shroud M Assy	XEK24805 A	E03950	1	1	1	1	1	1	1	Assembly				
6-1	Shroud M	17A23530 A	P29858	1	1	1	1	1	1	1	Shroud				
6-2	Protector Net M Assy	17A17019 A	E02876	1	1	1	1	1	1	1	Air Outlet				
7	Clamp M Assy	17F10874 A	E03951	1	1	1	1	1	1	1	Assembly				
8	Fan Motor	17B44177 A	P29834	1	1	1	1	1	1	1	MOF,DC240W,10P				
9	Propeller Fan	17A17362 B	P27001	1	1	1	1	1	1	1	Ø544				
10	B Base Assy	XEK24793 A	E03953	1			1				Assembly				
10	B Base Assy	XEK22864 A	E02096		1	1		1	1		Assembly				
11	Compressor Unit	17H21668 A	E03954	1							EU260XC1				
11	Compressor	17F12138 A	9931411		1	1					DC Comp HB36PHD-A1S2				
11	Compressor Unit	17H21668 C	E03975				1				EU260XD2				
11	Compressor	17F13307 A	E03976					1	1		DC Comp HB36PHD-D1S2				
11-1	Vibration Absorber	17H21093 A	E03955	3			3				Accessory included in No. 11 Compressor				
11-1	Vibration Absorber	17D49474 A	P17308		4	4		4	4						
11-2	Hermetic Cover	17H21094 A	E03956	1			1				Accessory included in No. 11 Compressor				
11-3	Vibration Absorber	17D21207 A	P13109		2	2		2	2						
12	Special Nut	17G64891 A	E02802	2			2								
12	Special Nut	17D49475 A	E02000		2	2		2	2						
13	C Heater	17C75113 P	E01826	1			1				240V, 30W				
13	C Heater	17F05573 B	P29160		1	1		1	1		240V, 52W				

No.	DESCRIPTION	DWG No.	PART No.	MODEL NAME						REMARKS					
				Qty	Qty	Qty	Qty	Qty	Qty						
				PRODUCT CODE											
				RAS-4HVNC1E, 1~ 230V 50Hz	7E305034	RAS-5HVNC1E, 1~ 230V 50Hz	7E305035	RAS-6HVNC1E, 1~ 230V 50Hz	7E305036	RAS-4HNC1E, 3~ 400V 50Hz	7E305134	RAS-5HNC1E, 3~ 400V 50Hz	7E305135	RAS-6HNC1E, 3~ 400V 50Hz	7E305136
24-3-2	Silencer	17H05922 A	P28629	1	1	1	1	1	1						
24-3-3	Pressure Switch	XEK22551 A	P25043	1	1	1	1	1	1	PSH (High)					
24-3-4	P-Sensor	XEK22552 A	P25042	1	1	1	1	1	1	PSC (Control)					
24-4	Check JA	17C75461 C	E03124	1			1								
24-4	Check JA	17C75461 A	E01160		1	1		1	1						
24-5	Stop Valve	17F10771 A	P29837	1	1	1	1	1	1	For liquid line 3/8					
24-6	Stop Valve	17F06328 B	P28919	1	1	1	1	1	1	For gas line 5/8					
24-7	Valve Stay	17G82214 A	E02111	1	1	1	1	1	1						
25	SVA Assy	XEK38255 A	E03997	1			1								
25	SVA Assy	17H19522 A	E03967		1	1		1	1						
25-1	Body	17C77098 A	P25246	1	1	1	1	1	1						
25-2	Capillary	17H02380 A	E03968	1	1	1	1	1	1	f2.5×0.4t×125Ø					
26	Solenoid Valve	17C64850 B	P25454	1	1	1	1	1	1	SVA					
27	Valve Stay	17H03600 A	E03403	1	1	1	1	1	1						
28	Thermistor	17C59663 E	E00692	1	1	1	1	1	1	for Outdoor Temp., THM7					
29	Thermistor	17C59664 D	P23504	1	1	1	1	1	1	for Pipe Temp., THM8					
30	Thermistor	17B24597 K	P23508	1	1	1	1	1	1	for Discharge Gas Temp., THM9					
31	Thermistor	17F05184 A	E03404	1	1	1	1	1	1	for Condenser Temp., THM10					
32	Thermo Attaching Plate	XEK21470 A	E01901	1	1	1	1	1	1						
33	Harness for Comp.	17H22567 A	E03969	1	1	1									
33	Harness for Comp.	17H23017 A	E03978				1								
33	Harness for Comp.	17H22568 A	E03979					1	1						



No.	DESCRIPTION	DWG No.	PART No.	MODEL NAME						REMARKS					
				Qty	Qty	Qty	Qty	Qty	Qty						
				PRODUCT CODE											
				RAS-4HVNC1E, 1~230V 50Hz	7E305034	RAS-5HVNC1E, 1~230V 50Hz	7E305035	RAS-6HVNC1E, 1~230V 50Hz	7E305036	RAS-4HNC1E, 1~230V 50Hz	7E305134	RAS-5HNC1E, 1~230V 50Hz	7E305135	RAS-6HNC1E, 1~230V 50Hz	7E305136
1	Electrical Box	XEK01360 A	E03986	1											Assembly (2+3+Harness)
1	Electrical Box	XEK01360 B	E03987		1										Assembly (2+3+Harness)
1	Electrical Box	XEK01360 C	E03988			1									Assembly (2+3+Harness)
1	Electrical Box	XEK01361 A	E03989				1								Assembly (2+3+Harness)
1	Electrical Box	XEK01361 B	E03990						1						Assembly (2+3+Harness)
1	Electrical Box	XEK01361 C	E03991									1			Assembly (2+3+Harness)
2	P-Plate Unit	XEK12305 A	E03992	1											Assembly (2-1~2-11)
2	P-Plate Unit	XEK12305 B	E03993		1	1									Assembly (2-1~2-11)
2	P-Plate Unit	XEK12341 A	E03994				1	1	1						Assembly (2-1~2-11)
2-1	P-Plate Assy	XEK37454 A	E03366	1	1	1	1	1	1	1					Assembly
2-2	Printed Circuit Board	XEK38216 C	E03970	1	1	1									PCB1, PO101H Assy
2-2	Printed Circuit Board	XEK38216 D	E03980				1	1	1						PCB1, PO101J Assy
2-3	Spacer	XEK30992 B	P19112	6	6	6	6	6	6	6					For PCB1
2-4	Push Spacer	XEK31888 A	E00738	2	2	2	2	2	2	2					For PCB1
2-5	Terminal Board	17C74177 A	P29161	1	1	1									TB
2-5	Terminal Board	XEK20967 A	E00705				1	1	1						TB
2-6	Noise Filter	17B42008 A	P28596	1	1	1									NF
2-6	Noise Filter	17B41798 A	P28595				1	1	1						NF
2-7	Spacer	XEK30992 B	P19112	6	6	6									For Noise Filter
2-8	Fuse Holder	17C68732 A	P24729	1	1	1									
2-8	Fuse Holder	17C66740 A	E01015				2	2	2						
2-9	Fuse	XEK32372 B	P27268	1	1	1									40A
2-9	Fuse	XEK32373 D	E00810				2	2	2						20A
2-10	Reactor Unit	17G93177 E	E03998	1	1	1									
2-10	Reactor Unit	XEK36243 C	E03374				1	1	1						
2-11	MG SW	17B28277 B	P24721	1	1	1	1	1	1	1					CMC1

No.	DESCRIPTION	DWG No.	PART No.	MODEL NAME						REMARKS
				Qty	Qty	Qty	Qty	Qty	Qty	
				PRODUCT CODE						
				RAS-4HVNC1E, 1~ 230V 50Hz	7E305034					
				RAS-5HVNC1E, 1~ 230V 50Hz	7E305035					
				RAS-6HVNC1E, 1~ 230V 50Hz	7E305036					
				RAS-4HNC1E, 1~ 230V 50Hz	7E305134					
				RAS-5HNC1E, 1~ 230V 50Hz	7E305135					
				RAS-6HNC1E, 1~ 230V 50Hz	7E305136					
3	Power Unit Assy	XEK24808 A	E03995	1	1	1				Assembly (3-1~3-2)
3	Power Unit Assy	XEK24893 A	E03996				1	1	1	Assembly (3-1~3-2)
3-1	Power Stay Assy	XEK36265 A	E02424	1	1	1				Assembly
3-1	Power Stay Assy	XEK36266 A	E02437				1	1	1	Assembly
3-2	Inverter Assy-M	17F07378 L	E03974	1	1	1				
3-2	Inverter Assy-M	XEK38216 E	E03981				1	1	1	
4	Upper Support	17G84652 A	E03973	1	1	1	1	1	1	

