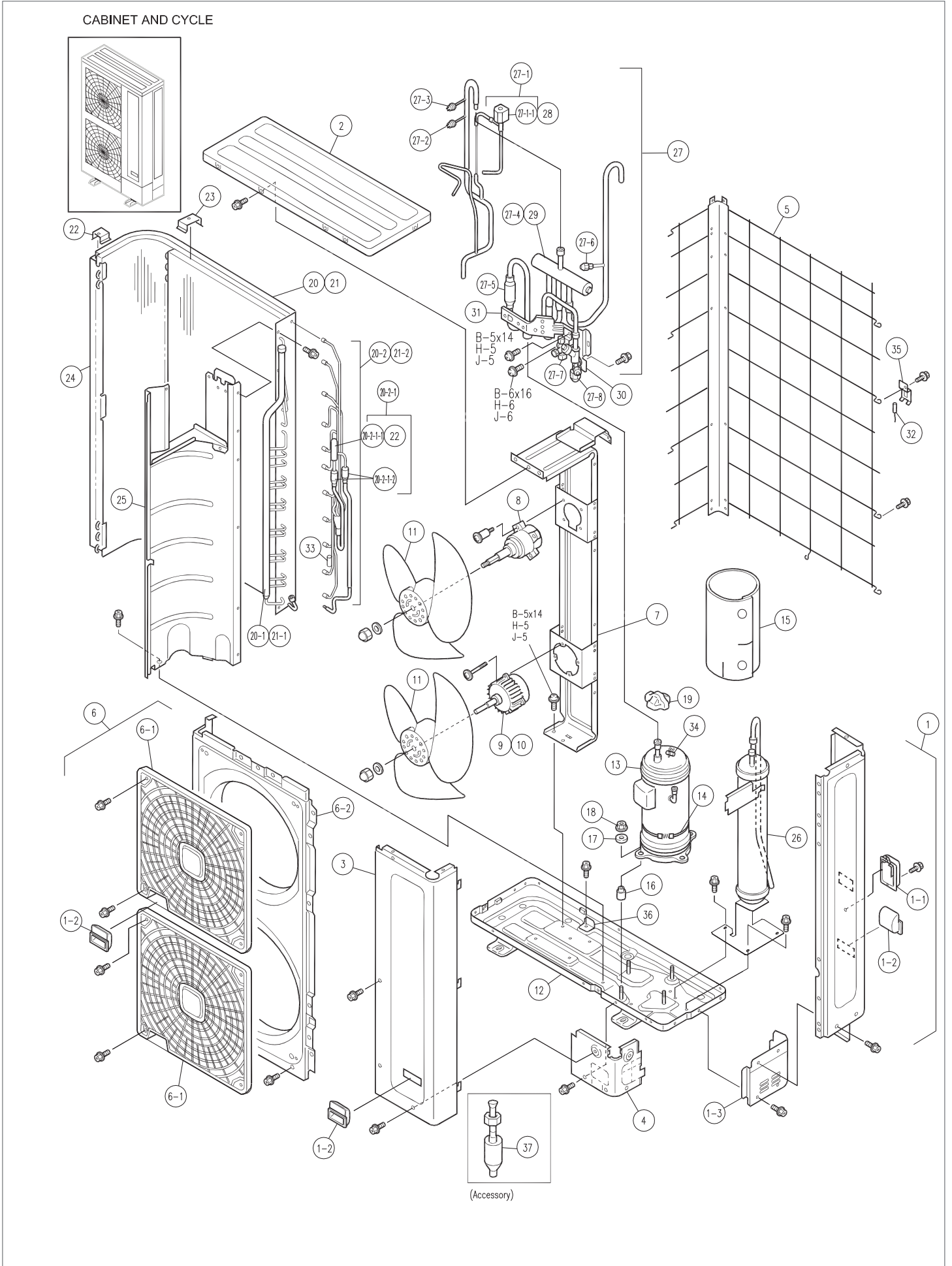
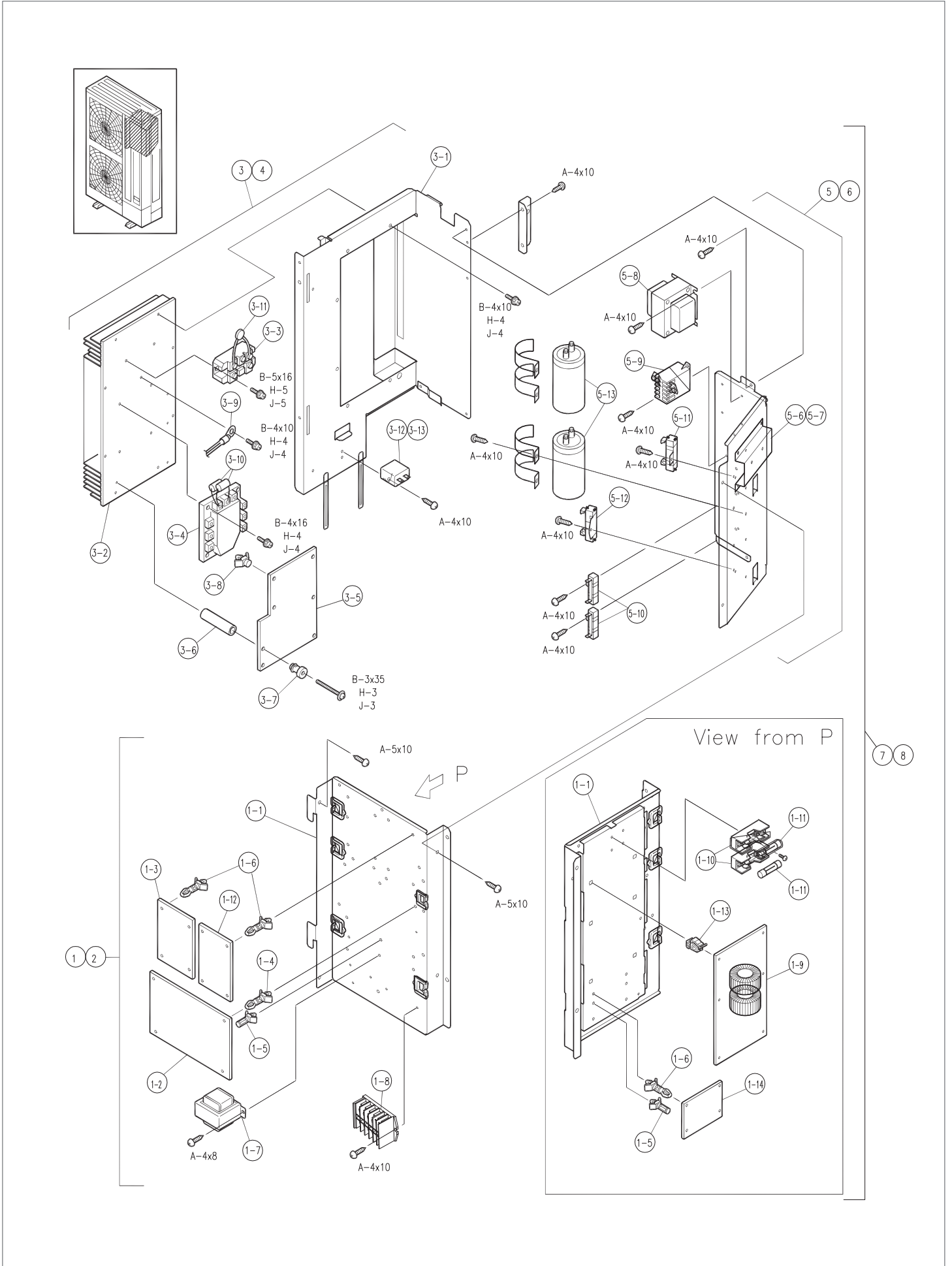


No.	DESCRIPTION	DWG No.	PART No.	MODEL NAME		REMARKS
				Qty	Qty	
				PRODUCT CODE		
				7E314110		
				7E314111		
				RAS-8HRNSE, 3-400V 50Hz		
				RAS-10HRNSE, 3-400V 50Hz		
1	Rear Cover Assy	XEK22859 A	E01809	1	1	Assembly
1-1	H-Cover	17B27407 A	E01898	1	1	
1-2	Handle	17C71740 A	E01897	3	3	
1-3	Piping Cover B	17C86251 A	P27003	1	1	Rear Piping Cover
2	Upper Cover Assy	XEK22860 A	E01794	1	1	Assembly
3	Service Cover Assy	XEK11725 A	E02128	1	1	Assembly
3	Service Cover Assy	XEK11725 B	E02465	1	1	Assembly
4	S Cover B	17B36514 A	P27002	1	1	Lower Service Cover
5	Protection Net	XEK22857 A	E01796	1	1	
6	Shroud Assy.	XEK22858 A	E02094	1	1	
6-1	Front Protector Net	17A17019 A	E02876	2	2	Air Outlet
6-2	Shroud	XEK00936 A	E01810	1	1	
7	Clamp Assy	XEK11780 A	E02095	1	1	
8	Fan Motor	17B36324 C	P27043	1	1	DC Fan Motor, MOF1 / DC138W, 8P
9	Fan Motor	17B37184 C	P27041	1	1	AC Fan Motor, MOF2 / AC120W, 8P
10	Fan Motor	17B37185 C	P27042	1	1	AC Fan Motor, MOF2 / AC170W, 8P
11	Propeller Fan	17A17362 B	P27001	2	2	Ø544
12	Bottom Base Assy	XEK22864 A	E02096	1	1	
13	Compressor	17C88629 A	06954254	1	1	E655DHD-65D2
14	Oil Heater	17B34124 C	E01082	1	1	40W
15	Acoustical Cover	XEK23381 A	E02097	1	1	
16	Vibration Absorber	17D49474 A	P17308	4	4	
17	Vibration Absorber	17D21207 A	P13109	2	2	
18	Special Nut	17D49475 A	E02000	2	2	
19	Rubber Cap	17B29767 A	E01900	1	1	
20	Condenser	XEK01016 A	E02098	1	1	Assembly (Heat exchanger + 20-1 + 20-2)
20-1	Header G Assy	17C87387 A	E02100	1	1	Assembly
20-2	Header L Assy	17C87705 A	E02102	1	1	Assembly
20-2-1	EVO Assy	17G83127 A	E02104	1	1	Assembly
20-2-1-1	Expansion Valve	17C78181 A	P26008	1	1	EVO
20-2-1-2	Strainer	17G56584 B	P26471	2	2	
21	Condenser	XEK01017 A	E02099	1	1	Assembly (Heat exchanger + 21-1 + 21-2)
21-1	Header G Assy	17C87166 A	E02101	1	1	Assembly
21-2	Header L Assy	17C87706 A	E02103	1	1	Assembly
22	Coil	17C78180 A	P26009	1	1	for EVO
22	Attaching Plate	17G57303 A	E02105	1	1	Not included in 20/21
23	Attaching Plate	17G84282 A	E02106	1	1	Not included in 21
24	End Plate Assy	17C87812 B	E02107	1	1	Not included in 20/21
25	Partition Plate Assy	17C87968 B	E02108	1	1	Assembly
26	L Tank	XEK22787 A	E01801	1	1	
27	Reversing Valve Assy	XEK11718 A	E02109	1	1	Assembly
27-1	SVA Assy	17G83122 A	E02110	1	1	
27-1-1	Solenoid Valve	17C64849 A	P24511	1	1	SVA
27-2	Pressure Switch	XEK22551 A	P25043	1	1	PSH (High)
27-3	Pressure Switch	XEK22552 A	P25042	1	1	PSC (Control)
27-4	Reversing Valve	17C73725 A	P26337	1	1	RVR
27-5	Strainer	17G55723 A	P24399	1	1	
27-6	Check Joint	17C75461 A	E01160	1	1	
27-7	Stop Valve 3/8	XEK22563 A	E01525	1	1	for Liquid Line
27-8	Stop Valve 3/4	17C78233 A	P26001	1	1	for Gas Line
28	Coil	17C64850 B	E01230	1	1	for SVA. Not included in 27-1
29	Coil	17C74970 A	P26678	1	1	for RVR. Not included in 27
30	Valve Stay	17G82214 A	E02111	1	1	
31	Valve Stay	17G40832 A	E02112	1	1	Not included in 27
32	Thermistor	17C59663 E	E00692	1	1	TA (Air)
33	Thermistor	17C59664 E	E00695	1	1	TE (Piping)
34	Thermistor	17B24597 K	P23508	1	1	TD (Compressor)
35	Thermo Attaching Plate	XEK21470 A	E01901	1	1	
36	Condenser Support	17G85303 A	E02113	1	1	
37	Accessory Pipe	17E24250 A	P26813	1	1	

CABINET AND CYCLE



No.	DESCRIPTION	DWG No.	PART No.	PRODUCT CODE		REMARKS
				MODEL NAME	Qty	
				RAS-8HRNSE, 3~ 400V 50Hz	7E314110	
				RAS-10HRNSE, 3~ 400V 50Hz	7E314111	
1	Attaching P-Plate Assy	XEK11720 A	E02114	1		Assembly (1-1 ~ 1-14)
2	Attaching P-Plate Assy	XEK11720 B	E02115		1	Assembly (1-1 ~ 1-14)
1-1	Attaching P-Plate	XEK35733 A	E02116	1	1	
1-2	Printed Circuit Board	17B36953 D	E01827	1	1	PCB Main (PO052)
1-3	Printed Circuit Board	17B40492 C	P28028	1	1	PCB for AC Fan Motor (PO083)
1-4	Spacer	XEK34315 A	E01789	4	4	Spacer
1-5	Push Spacer	XEK34316 A	P21189	4	4	Spacer
1-6	Spacer	XEK34315 A	E01789	12	12	Spacer
1-7	Transformer	XEK22107 A	E01294	1	1	TF
1-8	Terminal Board	XEK20967 A	E00705	1	1	TB
1-9	Noise Filter	17B36433 A	E01430	1	1	NF1
1-10	Fuse Holder	17C68732 A	E00774	2	2	
1-11	Fuse	XEK32372 B	P24776	2	2	40A
1-12	Printed Circuit Board	17B41036 B	P28292	1	1	PCB for DC Fan Motor (PO084)
1-13	Plastic Material	17G07802 A	P20985	6	6	Holder for NF1
1-14	Reverse Phase Relay	17C75100 B	E01367	1	1	
3	Power Plate Assy	XEK11721 A	E02117	1		Assembly (3-1 ~ 3-11+3-12)
4	Power Plate Assy	XEK11721 B	E02118		1	Assembly (3-1 ~ 3-11+3-13)
3-1	Power Plate	XEK23436 A	E02119	1	1	From serial n°4HE40544 this plate must be sent together with CB Plate 17B41041 A (E02125)
3-2	Radiation Fin	17C85114 A	E02042	1	1	
3-3	Diode Module	17C87617 A	P27214	1	1	DM
3-4	Transistor Module	17B37211 A	P27215	1	1	IPM
3-5	Printed Circuit Board	17B34864 B	E01623	1	1	PCB for Inverter (PV041)
3-6	Plastic Material	17G15233 B	P20986	4	4	Collar
3-7	Plastic Material	17G15232 A	P26098	4	4	Bush
3-8	Plastic Material	XEK34316 B	E01617	1	1	Spacer
3-9	Thermistor	17B33964 B	P26474	1	1	Fin Thermistor
3-10	Capacitor Assy	17G75514 C	E02120	1	1	Harness PC301
3-11	Noise Suppressor	17G85788 A	E02121	1	1	ZNR Assy
3-12	Capacitor	XEK21680 M	E01013	1		440VAC, 6µF
3-13	Capacitor	17G12406 A	P21464		1	440VAC, 7.5µF
5	CB Plate Assy	XEK11722 A	E02122	1		Assembly (5-8 ~ 5-13 + 5-6)
6	CB Plate Assy	XEK11722 B	E02123		1	Assembly (5-8 ~ 5-13 + 5-7)
5-6	CB Plate Assy	XEK35707 A	E02124	1		
5-7	CB Plate	17B41041 A	E02125		1	From serial n°4HE40544 this plate must be sent together with Power Plate XEK23436 A (E02119)
5-8	Reactor	17G83980 A	P27217	1	1	DCL
5-9	Mag. Contactor	17B28277 B	P24721	1	1	CMC1
5-10	Resistor	17B33595 A	P26062	2	2	RS1, RS2
5-11	Resistor	17B09366 P	P23797	1	1	R1
5-12	Resistor	17B09366 N	P23796	1	1	R2
5-13	Capacitor	17F03151 A	P28496	2	2	CB1, CB2 (400VAC, 4700µF)
7	Electrical Wiring Diagram	XEK01018 A	E02126	1		Assembly (1+3+5+Harness)
8	Electrical Wiring Diagram	XEK01018 B	E02127		1	Assembly (2+4+6+Harness)



LOCATION OF SPARE PARTS IN THE UNIT
ELECTRICAL EQUIPMENT

RAS-8HRNSE
RAS-10HRNSE

