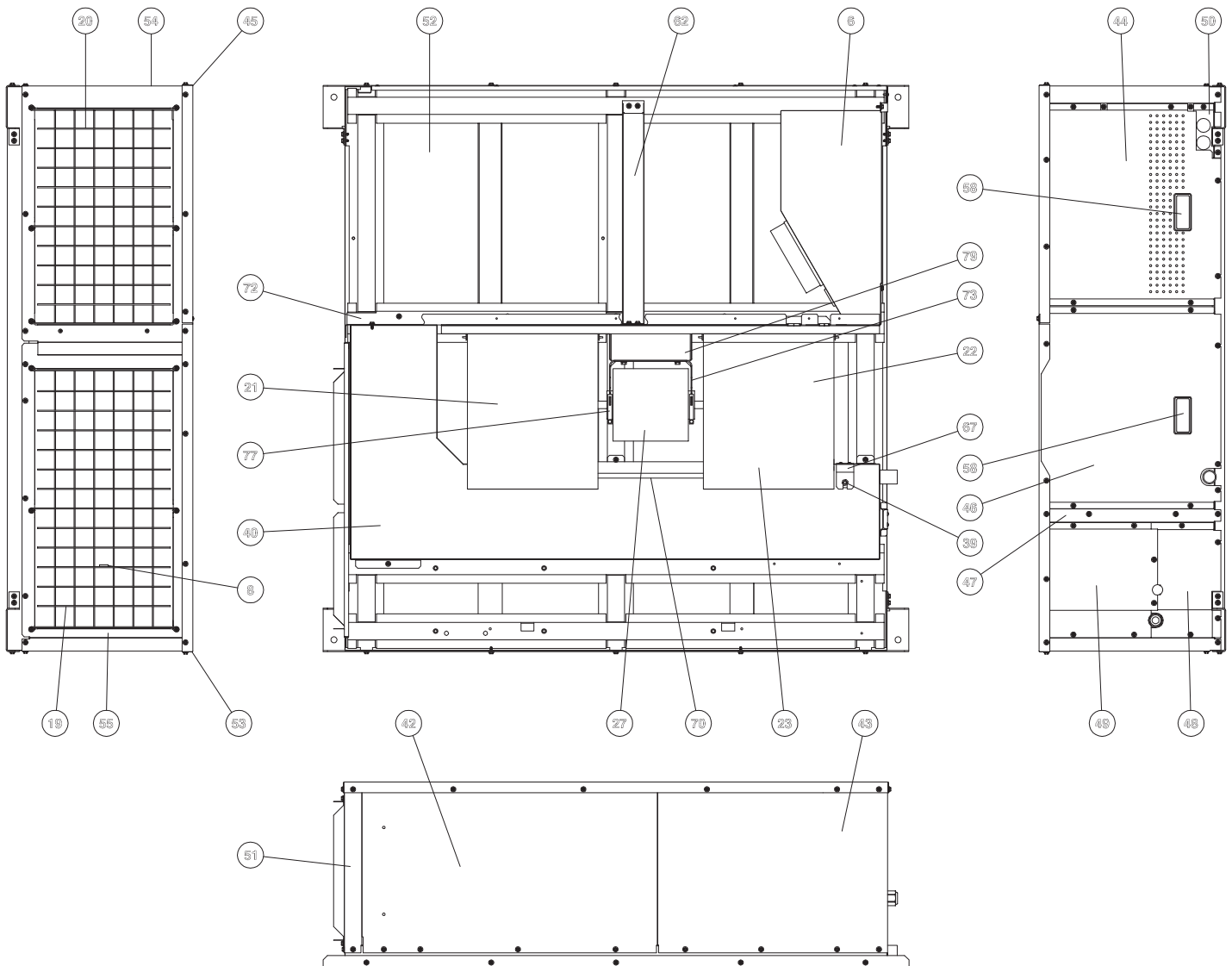
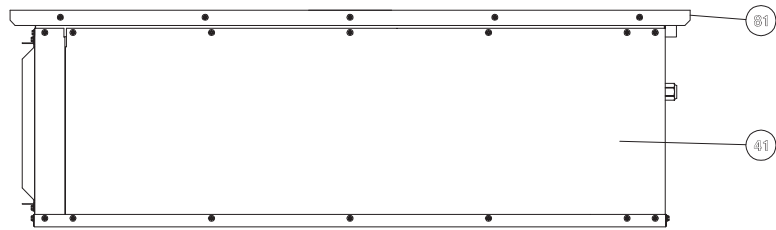
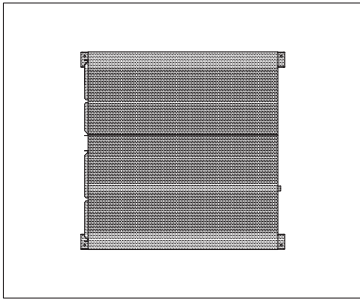


No.	DESCRIPTION	DWG No.	PART No.	Qty	REMARKS	MODEL NAME	PRODUCTION CODE
							7E342008
1	Terminal Board	17C74177 A	E01818	1			
2	Harness PS	XEK23330 A	E01958	1	PSH (Pressure Switch High)		
3	Harness PSC	XEK35631 A	E01959	1	PSC (Pressure Switch Control)		
4	Fuse	XEK32372 C	P24728	1	50A		
5	Fuse	XEK35608 A	E01960	1	10A		
6	Electrical Box	XEK00989 C	E03683	1	Assembly (Components + Harness + Steel Plates)		
7	Capacitor	17B24382 A	P22531	1	30µF		
8	Thermistor	17C59663 A	P22520	1	TA		
9	Thermistor	17C59664 E	P23507	1	TE		
10	Thermistor	17B24597 E	P22573	1	TD		
11	Noise Filter	17B34244 A	P26446	1			
12	EVO Assy	17H00106 A	E01963	1			
12-1	Expansion Valve	17C73727 A	P24691	1			
12-2	EXPV Coil	17C73728 D	E02669	1			
12-3	Strainer	17G62701 B	P25037	2			
13	S Valve 5/8	XEK22559 B	E01964	1	Gas Line		
14	S Valve 3/8	XEK22563 A	E01525	1	Liquid Line		
15	Check JA	17C75461 B	P25044	1			
16	Strainer	17G55722 A	P24398	1			
17	V-P-Rubber 1	17D49474 A	P17308	4			
18	V-P-Rubber 2	17D21207 A	P13109	4			
19	Protector Net 1	XEK35512 B	E03706	1	Inlet		
20	Protector Net 2	XEK35513 B	E03707	1	Outlet		
21	Fan Assy. L	XEK23104 A	E01846	1	Fan Casing + Runner (left)		
22	Fan Assy. R	XEK23103 A	E01845	1	Fan Casing + Runner (right)		
23	Fan Unit	XEK23102 A	E01967	1	Assembly		
24	Condenser	XEK11659 A	E01969	1	Assembly		
25	L Tank	XEK22787 C	E01971	1	Assembly		
26	Compressor	17C92412 A	E01973	1	E405ALD-36A2		
27	Fan Motor	17A20472 A	E01974	1	DC 950W, 4P		
28	MG SW	17B28277 B	P24721	1			
29	SV Assy	17H00095 A	E01976	1			
29-1	Body	17C77098 A	P25246	1	Solenoid Valve		
29-2	Coil Harness 20	XEK35624 A	E02017	1	SVA (Solenoid Valve Coil)		
30	C-Heater	17B34124 D	P26564	2			
31	4 Way Valve	17C73725 A	P26337	1	Reversing Valve		

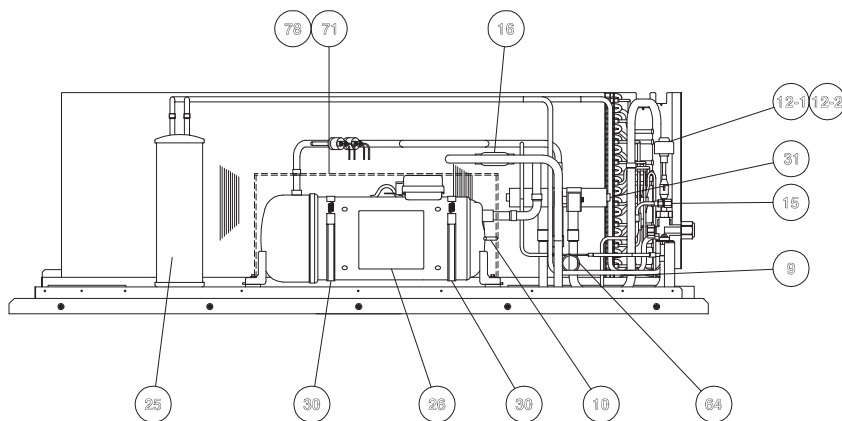
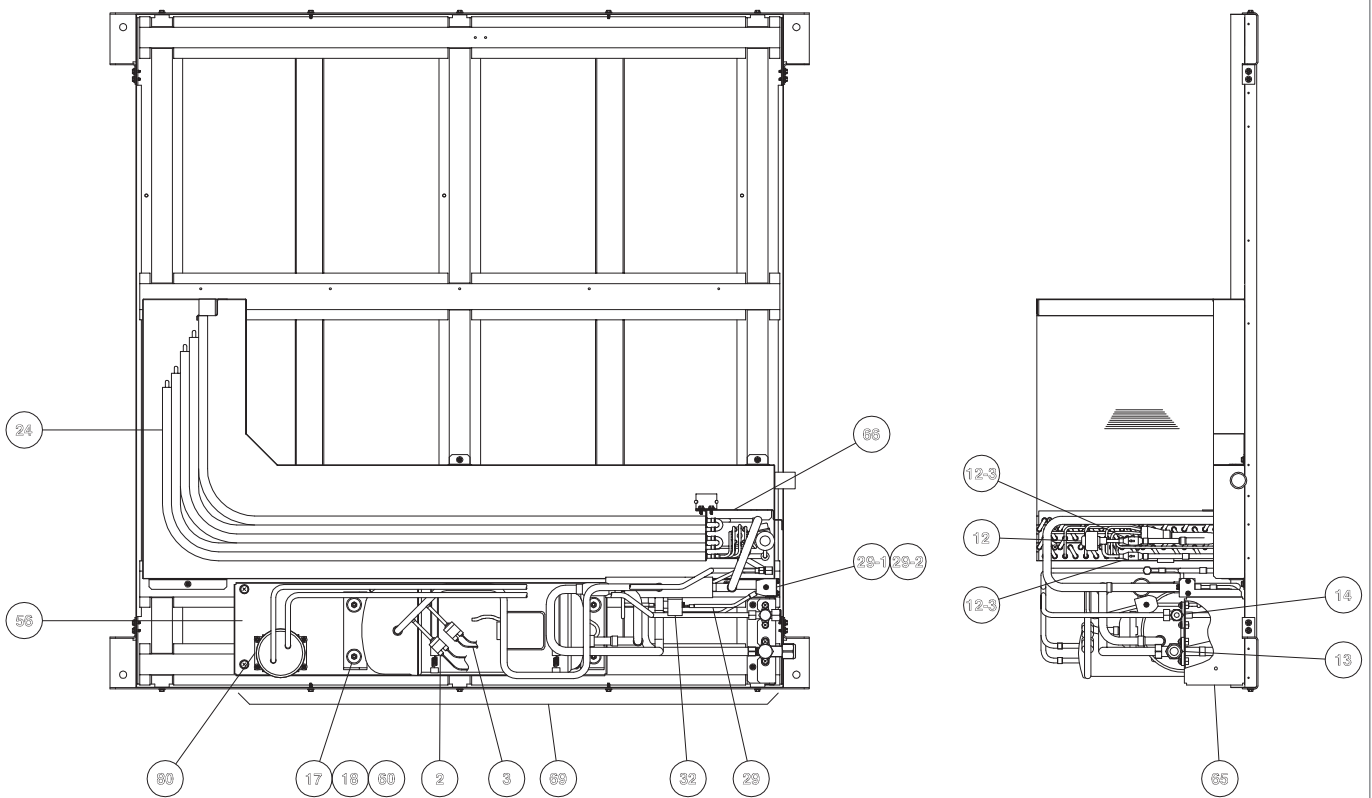
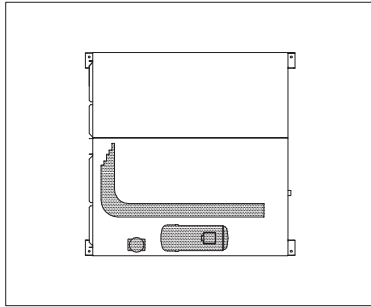
PRODUCTION CODE
 MODEL NAME
 RASC-5HVRNM1E, 1N ~ 230V 50Hz
 7E342008

No.	DESCRIPTION	DWG No.	PART No.	Qty	REMARKS
72	Fan Partition Assy	XEK23259 A	E02010	1	
73	Motor Base	XEK23272 A	E02011	1	
74	Clamp	XEK31150 A	E02012	2	
75	Spacer	XEK34315 A	P17225	6	
76	Push Spacer	XEK34316 A	P21189	2	
77	Bracket	XEK34561 A	E01611	2	
78	Acoustical Cover 2	XEK35364 A	E02013	2	
79	Fan Stay Assy	XEK35372 A	E02014	1	Assembly
80	L Base	XEK35424 A	E02015	1	
81	Suspension Base	17B40494 A	E02016	2	

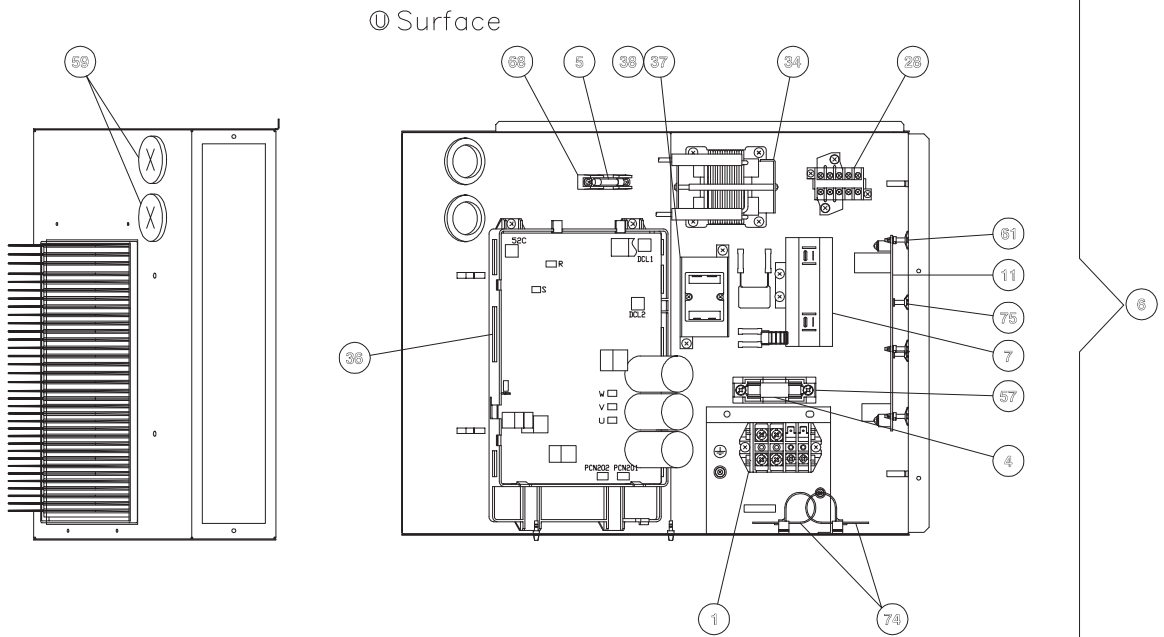
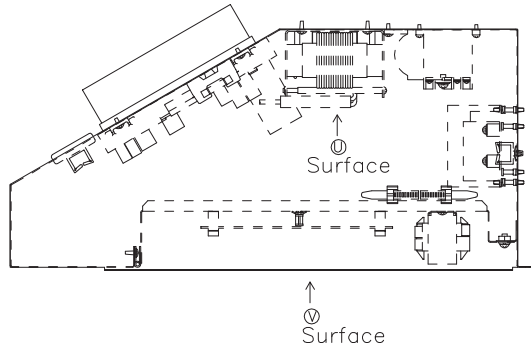
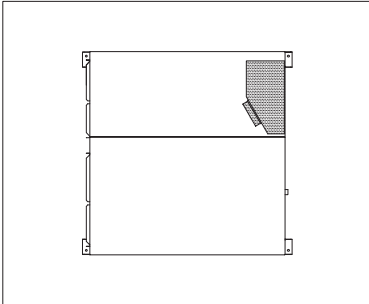
CABINET AND FAN



REFRIGERANT CYCLE



ELECTRICAL EQUIPMENT



⊕ Surface

