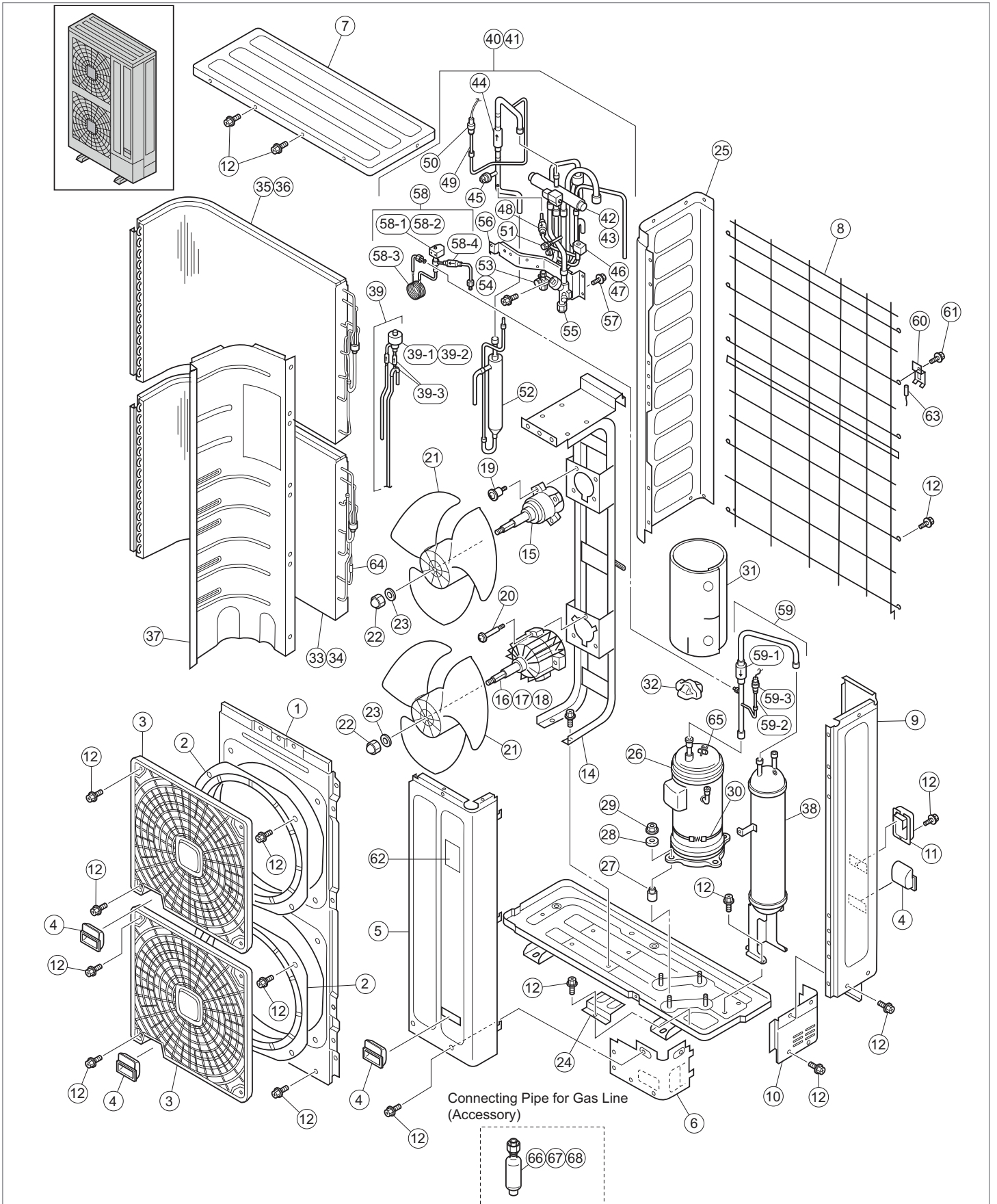


					(P0116x-03B)		
					Voltage		
					380-415V/50Hz		
					for Europe		
No.	Part Name	Replacement Part		Remarks	Q'ty Per Unit		
		Draw. No.	Order No.		RAS-8FSNM	RAS-10FSNM	RAS-12FSNM
1	Cabinet Panel	17A16927A	P27206	Shroud	1	1	1
2	Bell Mouse	17A16981A	P26800		2	2	2
3	Air Grille	17A17019A	P26799	Air Outlet	2	2	2
4	Handle	17C71740A	P24391		4	4	4
5	Cabinet Panel	17A16929A	P27213	Service Cover	1	1	1
6	Cabinet Panel	17B36006A	P26810	Lower Service Cover	1	1	1
7	Cabinet Panel	17C85799A	P27223	Upper Cover	1	1	1
8	Protection Net	17C85288A			1	1	1
9	Cabinet Panel	17C85324A	P27365	Rear Cover	1	1	1
10	Piping Cover	17C85073A	P26811	Rear Piping Cover	1	1	1
11	H-Cover	17B27407A	P23833		1	1	1
12	Screw	17G84611A	P25678	SUS, M5	125	125	125
13							
14	Motor Clamp	17B36052B			1	1	1
15	* Fan Motor	17B36324A	P28124	Applicable MFG. No.: Before U48S4731 DC Fan Motor, MOF1 / DC170W, 8P	1	1	1
		17B41282A	P28457	Applicable MFG. No.: After U48U5889 DC Fan Motor, MOF1 / DC170W, 8P	1	1	1
16	Fan Motor	17B38441A	P27312	AC Fan Motor, MOF2 / AC101W, 6P	1		
17	Fan Motor	17B38442A	P27313	AC Fan Motor, MOF2 / AC115W, 6P		1	
18	Fan Motor	17B38443A	P27314	AC Fan Motor, MOF2 / AC183W, 6P			1
19	Screw	17E24234A		SUS, M6	4	4	4
20	Screw	17D30321H		SUS, M8	4	4	4
21	Propeller Fan	17A17362B	P27001	φ544	2	2	2
22	Closing Nut	17D50034B	P23904		2	2	2
23	Washer	17D28860E	R4428		2	2	2
24	Piping Cover	17G80593A		Bottom Piping Cover	1	1	1
25	Cabinet Panel	17A16926A		Side Cover	1	1	1
26	Compressor	17C92350A	06954274	E656DHD-65D2	1	1	1
27	Vibration Absorber	17D49474A	P17308		4	4	4
28	Vibration Absorber	17D21207A	P13109		2	2	2
29	Nut	17D49475A	P21245		2	2	2
30	Oil Heater	17B34124E	P27315	40.8W	1	1	1
31	Soundproof Cover	17C85290A	P26808		1	1	1
32	Rubber Cap	17B29767A	P24397		1	1	1
33	Heat Exchanger	17B36193A	P26803	Lower Side	1		
34	Heat Exchanger	17B36195A	P26805	Lower Side		1	1
35	Heat Exchanger	17B36192A	P26802	Upper Side	1		
36	Heat Exchanger	17B36194A	P26804	Upper Side		1	1
37	Partition Plate	17C85173A		Assy	1	1	1
38	Accumulator	17F00528A	P28118		1	1	1
39	EVO Assy	17G80513A		Assy	1	1	1
39-1	Expansion Valve	17C78181A	P26008	MV: Saginimiya, UKV-32D28	1	1	1
39-2	Coil	17C78180A	P26009	for MV: Saginimiya, UKV-U029E	1	1	1
39-3	Strainer	17G56584B	P26471		2	2	2

***: Check the manufacturing (MFG.) No. of the outdoor unit when ordering the service fan motor.**

Note:
 The parts without order number are the custom-ordered, and these are not mentioned in the price list.
 When ordering them, the part name and the drawing number are required.
 Contact your HITACHI distributor for the delivery date and price about them.



Note:

The parts without order number are the custom-ordered, and these are not mentioned in the price list.

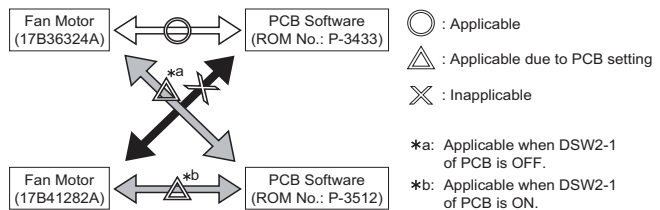
When ordering them, the part name and the drawing number are required.

Contact your HITACHI distributor for the delivery date and price about them.

(P0116x-06)

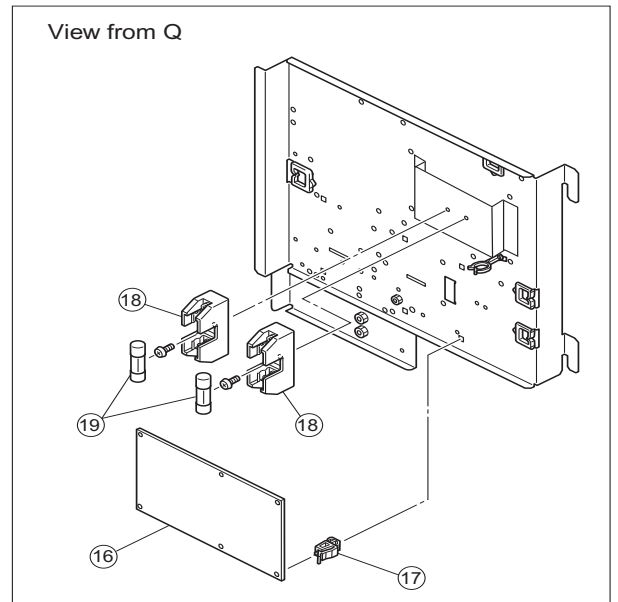
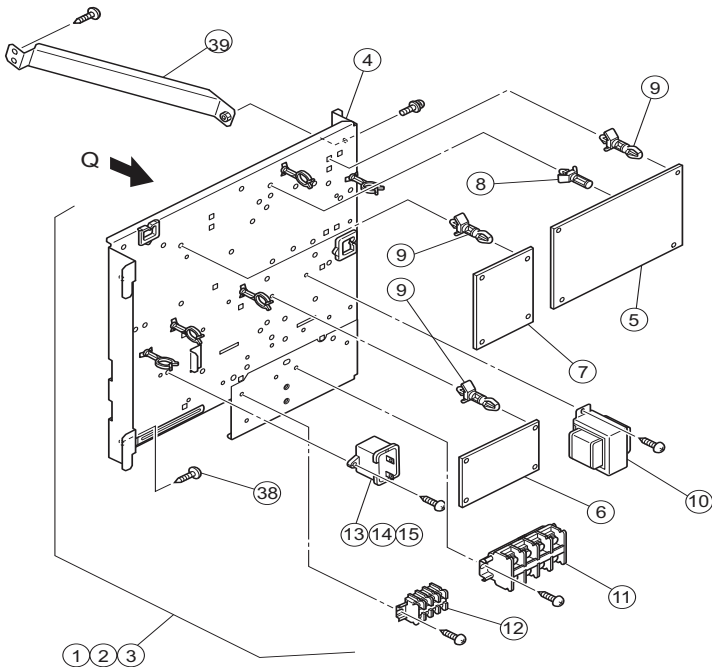
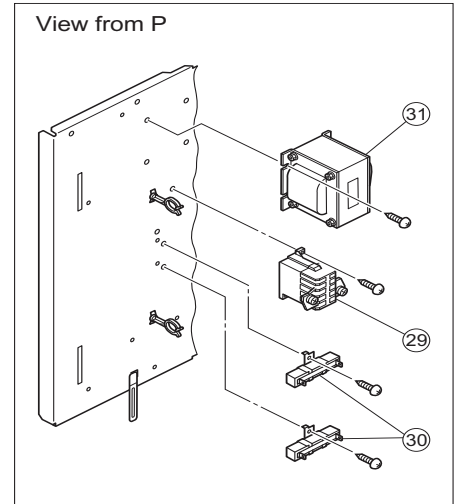
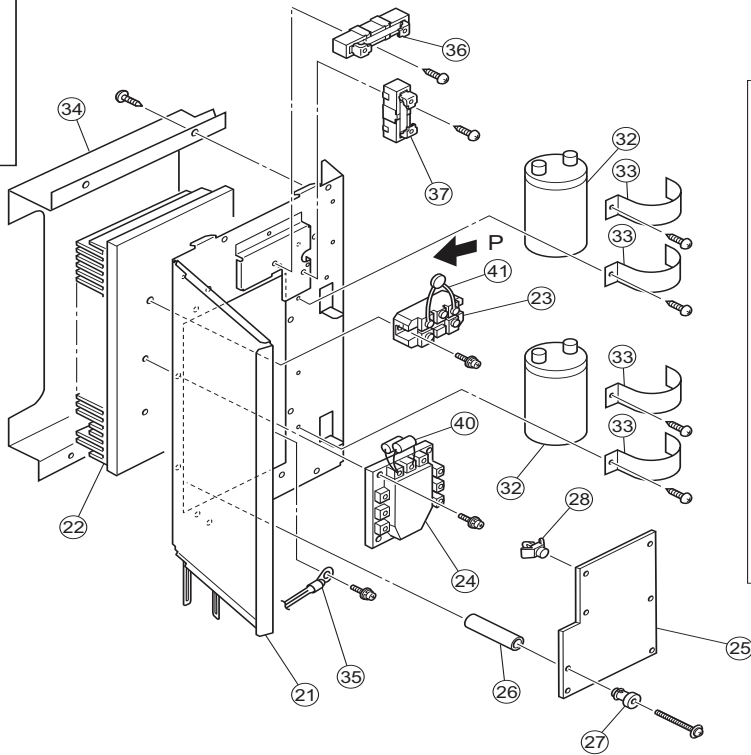
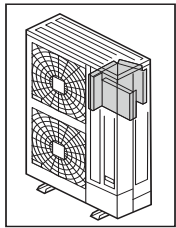
No.	Part Name	Replacement Part		Remarks	Q'ty Per Unit		
		Draw. No.	Order No.		RAS-8FSNM	RAS-10FSNM	RAS-12FSNM
1	Attaching P-Plate Assy	17B40477A			1		
2	Attaching P-Plate Assy	17B40477B				1	
3	Attaching P-Plate Assy	17B40477C					1
4	Attaching P-Plate	17G79867E			1	1	1
5	* Printed Circuit Board	17H01933B	P27969	PO081-S PCB 1 (Main)	1	1	1
6	Printed Circuit Board	17B41036B		PO084 PCB 5 (DC-FAN)	1	1	1
7	Printed Circuit Board	17H02833B	P28028	PO083-S PCB 3 (Sub PCB)	1	1	1
8	Plastic Material	17G26059A	P21189	Spacer	3	3	3
9	Plastic Material	17G26058A	P21187	Spacer	12	12	12
10	Transformer	17B34423A	P26291	Transformer TF1	1	1	1
11	Terminal Board	17P00842C		4P, M5, 600VAC 50A for Power Source	1	1	1
12	Terminal Board	17D26633A	R4591	2P, M4, 600VAC 20A for Transmitting	1	1	1
13	Capacitor	17B33519G	P27305	440VAC, 7µF	1		
14	Capacitor	17B33519H	P20210	440VAC, 8µF		1	
15	Capacitor	17G12406B	P22126	440VAC, 10µF			1
16	Noise Filter	17B36433A	P26740	Noise Filter PCB NF1	1	1	1
17	Plastic Material	17G07802A	P20985	Holder	6	6	6
18	Fuse Holder	17C68732A	P24729		2	2	2
19	Fuse	17C89721A	P27268	40A	2	2	2
20	Power Plate Assy	17B38053A			1	1	1
21	Power Plate	17G87182A			1	1	1
22	Radiation Fin	17C85114A			1	1	1
23	Diode Module	17C87617A	P27214		1	1	1
24	Transistor Module	17B37211A	P27215	IPM	1	1	1
25	Printed Circuit Board	17G75882B	P27216	PV041-S for Inverter PCB 2 (IPM Regulation)	1	1	1
26	Plastic Material	17G15233B	P20986	Collar	4	4	4
27	Plastic Material	17G15232A	P26098	Bush	4	4	4
28	Plastic Material	17G26059D	P26472	Spacer	1	1	1
29	Mag. Contactor	17B28277B	P24721	CMC1: Fuji Electric Co. Ltd, FC-0/SP	1	1	1
30	Resistor	17B33595A	P26062	RS1, RS2	2	2	2
31	Reactor	17G83980A	P27217	DCL	1	1	1
32	Capacitor	17B34738A	P26415	400VAC 4700µF	2	2	2
33	Saddle	17D52835A			4	4	4
34	Fin Cover	17C85094A			1	1	1
35	Thermistor	17B33964B	P26474	Fin Thermistor	1	1	1
36	Resistor	17B09366P	P23797	R1	1	1	1
37	Resistor	17B09366N	P23796	R2	1	1	1
38	Screw	17D63598E			2	2	2
39	Stay	17G87181A			1	1	1
40	Capacitor Assy	17G75514C		Herness PC301 (CS1, CS2)	1	1	1
41	Noise Suppressor	17G85788A		ZNR Assy	1	1	1

***: Check the DC fan motor drawing No. and PCB ROM No. when replacing the service PCB. Because the combination is very important between DC fan motor and PCB software version. The details are indicated in Service Parts News SPN200909.**



Note:

The parts without order number are the custom-ordered, and these are not mentioned in the price list. When ordering them, the part name and the drawing number are required. Contact your HITACHI distributor for the delivery date and price about them.



Note:

The parts without order number are the custom-ordered, and these are not mentioned in the price list.
 When ordering them, the part name and the drawing number are required.
 Contact your HITACHI distributor for the delivery date and price about them.