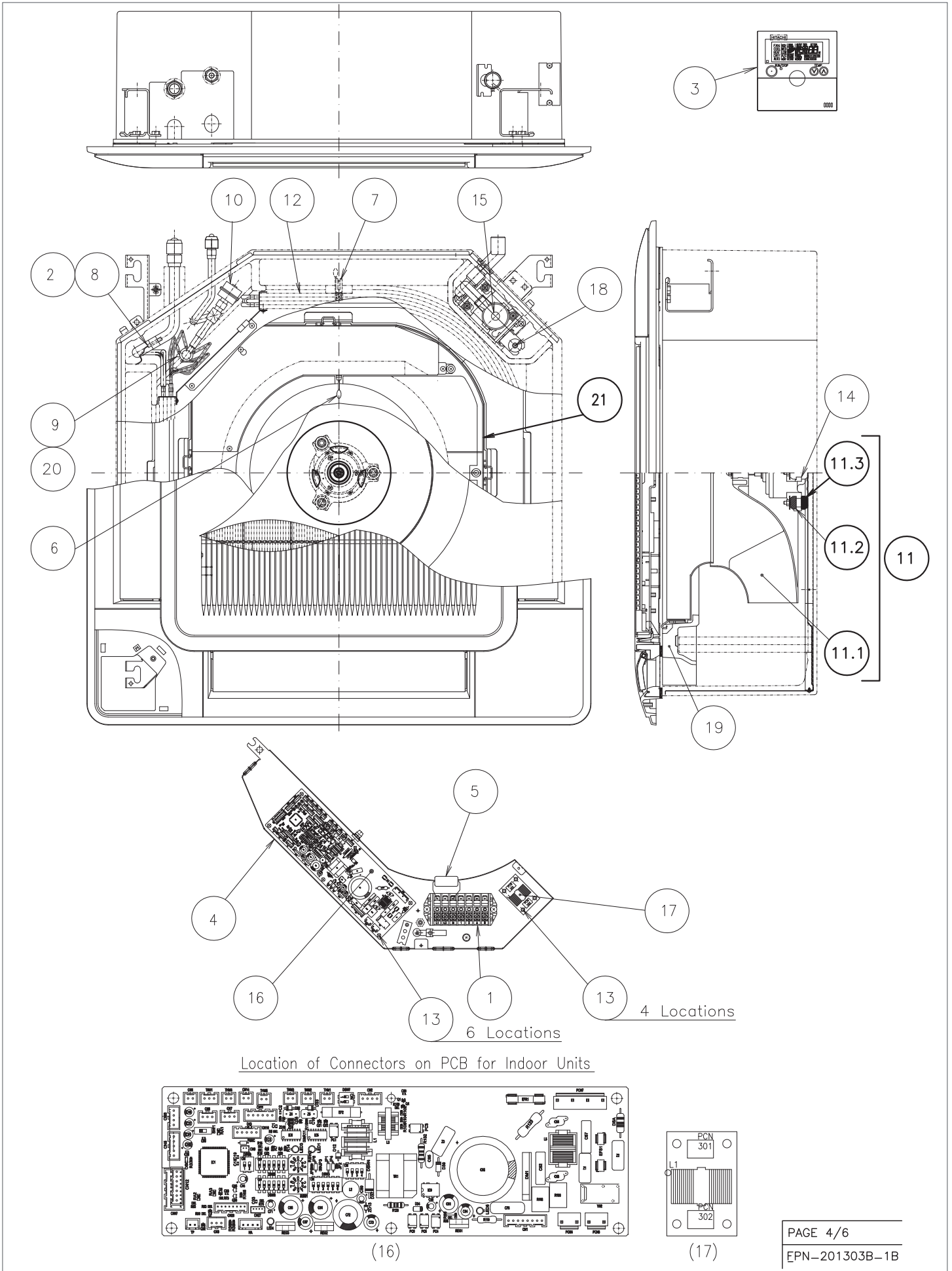


PRODUCT CODE
MODEL NAME

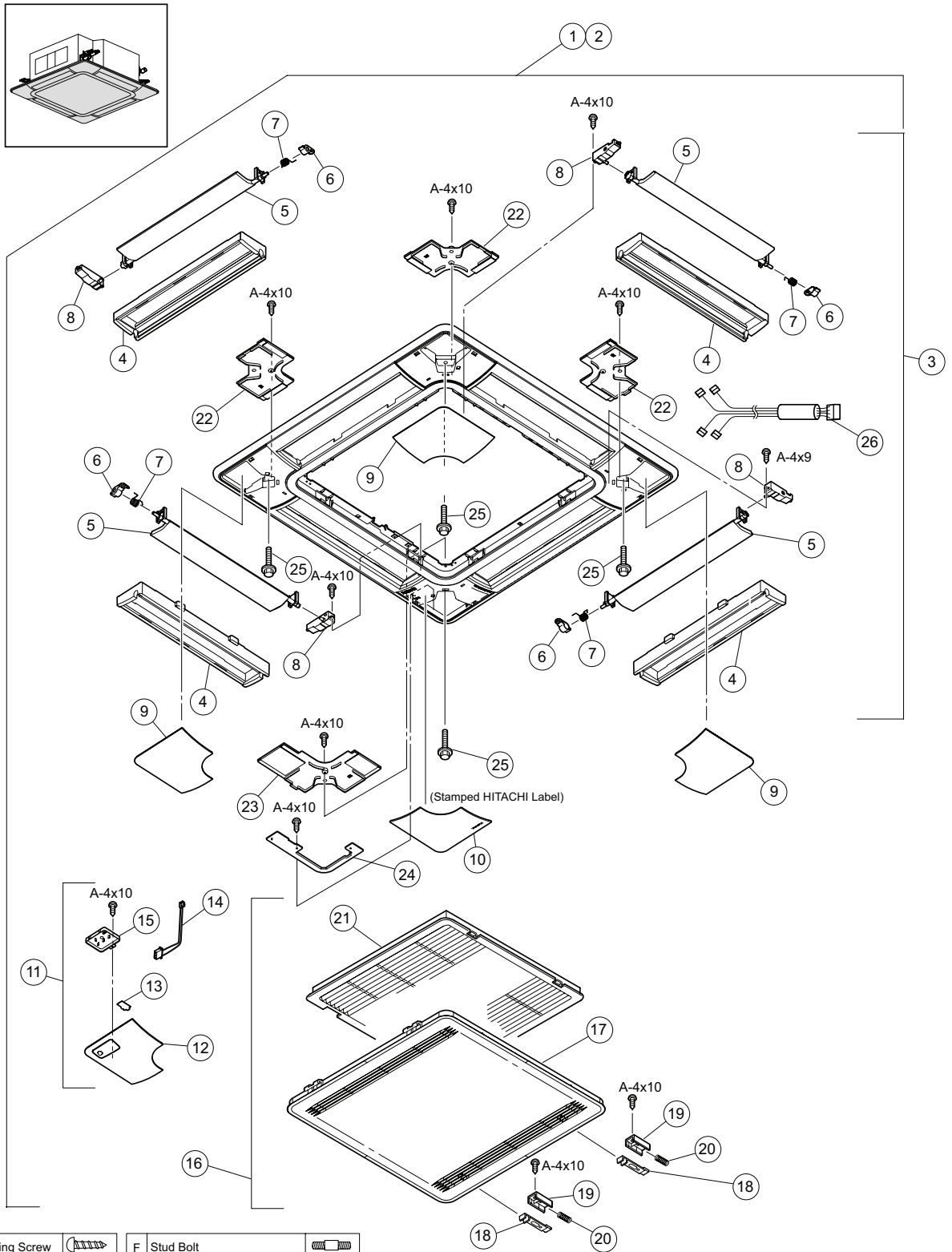
7E404001	RCI-1.0FSN3EK, 1 ~ 230V 50Hz
7E404002	RCI-1.5FSN3EK, 1 ~ 230V 50Hz
7E404003	RCI-2.0FSN3EK, 1 ~ 230V 50Hz
7E404004	RCI-2.5FSN3EK, 1 ~ 230V 50Hz

No.	DESCRIPTION	Dwg No.	PART No.	Qty	Qty	Qty	Qty	REMARKS
1	Terminal Board	XEK21159 A	E00750	1	1	1	1	
2	P-Spring	17G31457 A	E02444	1	1	1	1	FOR GAS PIPE
3	Remote Control SW	70510000	E01693	1	1	1	1	PC-ART (OPTIONAL)
4	Electrical Box	XEK01335 A	E03760	1	1	1	1	Assembly (Components + Harness)
5	Capacitor Assy	XEK37166 A	E03075	1	1	1	1	
6	Thermistor	XEK11209 A	E01203	1	1	1	1	AIR INLET
7	Thermistor	XEK11209 T	E02875	1	1	1	1	AIR OUTLET
8	Thermistor	17B41046 E	E02443	1	1	1	1	GAS PIPE
9	Thermistor	17C74419 J	E01198	1	1	1	1	LIQUID PIPE
10	Expansion Valve	17F04391 A	E03076	1	1	1		
10	Expansion Valve	17F04392 A	E03077				1	
11	Turbo Fan	XEK37756 A	E03982	1	1	1	1	TURBO FAN KIT (Turbo Fan + Rubbers + Instructions)
11.1	Turbo Fan	17A17570 A	P27116	1	1	1	1	
11.2	Anti-Vibration Rubber	17G84221 A	P27141	3	3	3	3	
11.3	Anti-Vibration Rubber	17G54609 A	E03658	3	3	3	3	(Fan Motor Rubber)
12	Heat Exchanger	XEK12072 A	E03079	1	1			ASSEMBLY
12	Heat Exchanger	XEK12073 A	E03080			1		ASSEMBLY
12	Heat Exchanger	XEK12074 A	E03081				1	ASSEMBLY
13	Spacer	XEK36855 A	E02931	10	10	10	10	
14	Fan Motor	XEK12150 A	E03071	1	1	1	1	
15	Drain Pump	XEK12151 A	E03241	1	1	1	1	DISCHARGE MECHANISM
16	Printed Circuit Board	17B43437 F	E03742	1	1	1	1	PI113F ASSY (Main PCB)
17	Printed Circuit Board	17C59642 A	E01106	1	1	1	1	PI979 Assy (For Noise Protection)
18	Float Switch	17B24618 F	E01107	1	1	1	1	
19	Drain Pan	XEK12094 A	E01720	1	1			ASSEMBLY
19	Drain Pan	XEK12094 B	E01719			1		ASSEMBLY
19	Drain Pan	XEK12094 C	E01718				1	ASSEMBLY
20	P-Spring	17G27651 C	E02550	1	1	1	1	FOR LIQUID PIPE
21	Bell Mouth S Unit	XEK32958 B	E03754	1	1	1	1	



Location of Connectors on PCB for Indoor Units

No.	DESCRIPTION	Dwg No.	PART No.	PRODUCT CODE		REMARKS
				MODEL NAME		
				P-AP160NA1	60297215	
				P-AP160NAE	60297217	
1	Air Panel	17A22258 H		1		
2	Air Panel	17A22278 G			1	
3	Panel Assy	17A22257 A		1	1	
4	Guide	17H12317 A		4	4	
5	Louver Assy	17F07365 A	P28944	4	4	
6	Bearing	17F02390 A	P28265	4	4	
7	Spring	17H03716 A	P28266	4	4	
8	Swing Motor Assy	17B40904 A	P28267	4	4	
9	CP-Cover	17H12391 A	P28949	3	2	
10	CP-Cover	17H12391 F	P28954	1	1	HITACHI Label
11	Motion Sensor Assy	17F07458 A			1	Motion Sensor
12	CP-Cover	17H12392 A	P28982		1	for Motion Sensor
13	Motion Sensor	17B42670 A	P28983		1	for Motion Sensor
14	Relay Wire	17H12537 A			1	for Motion Sensor
15	Sensor Case	17F07284 A			1	for Motion Sensor
16	Grille Assy	17B42664 A	P28959	1	1	
17	Air Inlet Grille	17A21034 A	P28270	1	1	
18	Knob	17F02391 A	P28271	2	2	
19	Knob Holder	17F02392 A	P28272	2	2	
20	Spring	17G53242 A	P24454	2	2	
21	Air Filter	17B28959 A	P24524	1	1	
22	C-Cover	17H12912 A	P28977	3	3	
23	C-Cover	17H12251 A	P28978	1	1	
24	Oil Guard	17B42582 A	P28979	1	1	
25	Long Screw	17G10414 A	P21335	4	4	M6 x 50
26	Wiring AS	17B42641 A		1	1	



A	Truss Head Tapping Screw		F	Stud Bolt	
B	Round Head Screw		G	Nut	
C	Flat Head Screw		H	Washer	
D	Pan Head Tapping Screw		J	Spring Lock Washer	
E	Hexagon Head Bolt		K	Toothed Lock Washer	

NOTE:
The unicomated coating is applied to iron and steel material for the unspecified materials of the bolt and screw.