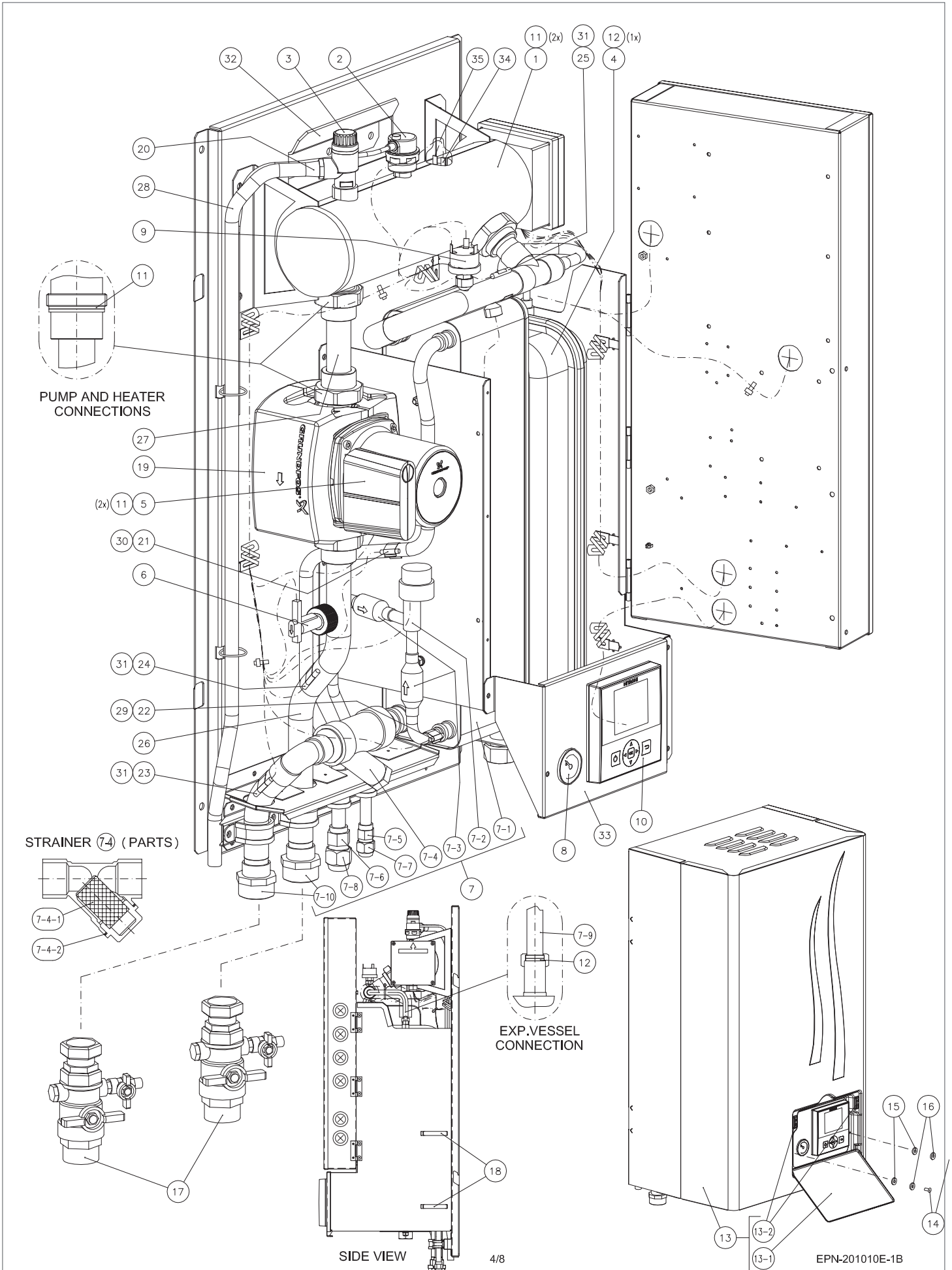


No.	DESCRIPTION	DWG No.	PART No.	MODEL NAME										REMARKS			
				QTY	QTY	QTY	QTY	QTY	QTY	QTY	QTY	QTY	QTY				
				RWM-2.0FSN3E, 1-230V 50Hz	RWM-2.0HFSN3E, 1-230V 50Hz	RWM-3.0FSN3E, 1-230V 50Hz	RWM-3.0HFSN3E, 1-230V 50Hz	RWM-4.0FSN3E, 1-3N-230/400V 50Hz	RWM-4.0HFSN3E, 1-3N-230/400V 50Hz	RWM-5.0FSN3E, 1-3N-230/400V 50Hz	RWM-5.0HFSN3E, 1-3N-230/400V 50Hz	RWM-6.0FSN3E, 1-3N-230/400V 50Hz	RWM-6.0HFSN3E, 1-3N-230/400V 50Hz	RWM-8.0FSN3E, 3N-400V 50Hz	RWM-8.0HFSN3E, 3N-400V 50Hz	RWM-10.0FSN3E, 3N-400V 50Hz	RWM-10.0HFSN3E, 3N-400V 50Hz
				7E474003	7E474016	7E474005	7E474018	7E474107	7E474120	7E474108	7E474121	7E474109	7E474122	7E474110	7E474123	7E474111	7E474124
1	Electric Heater Assy	XEK12020 A	E02473	1	1												Gaskets 11 not included
1	Electric Heater Assy	XEK12020 B	E02474				1	1	1								Gaskets 11 not included
1	Electric Heater Assy	XEK12021 A	E02768										1	1			Gaskets 11 not included
2	Air Purge	XEK35611 A	E01909	1	1	1	1	1	1	1	1	1	1	1			
3	Security Valve	XEK36102 A	E02475	1	1	1	1	1	1	1	1	1	1	1			
4	Expansion Vessel 6L	XEK23610 A	E02476	1	1	1	1	1	1	1	1	1	1	1			Gasket 12 not included
4	Expansion Vessel 10L	XEK23611 A	E02522										1	1			Gasket 12 not included
5	Pump	XEK23769 C	E02932	1													Gaskets 11 and Pump Insulation 19 not included
5	Pump	XEK23770 C	E02477		1												Gaskets 11 and Pump Insulation 19 not included
5	Pump	XEK23771 C	E02478			1	1	1	1								Gaskets 11 and Pump Ins. 19 not included (Equivalent to E03705)
5	Pump	XEK23825 C	E02769										1	1			Gaskets 11 and Pump Insulation 19 not included
6	Flow Switch	XEK36152 A	E02933	1													
6	Flow Switch	XEK36152 B	E02479		1	1	1	1	1								
6	Flow Switch	XEK36177 A	E02770										1	1			
7	PHEX Unit	XEK23870 A	E02934	1													Assembly (from 7-1 to 7-10)
7	PHEX Unit	XEK23870 C	E02480		1												Assembly (from 7-1 to 7-10)
7	PHEX Unit	XEK23870 D	E02481			1											Assembly (from 7-1 to 7-10)
7	PHEX Unit	XEK23870 E	E02482				1	1									Assembly (from 7-1 to 7-10)
7	PHEX Unit	XEK23871 A	E02771										1				Assembly (from 7-1 to 7-10)
7	PHEX Unit	XEK23871 B	E02772											1			Assembly (from 7-1 to 7-10)
7-1	Plate HEX	XEK23613 A	E02483	1	1												
7-1	Plate HEX	XEK23614 A	E02484			1											
7-1	Plate HEX	XEK23615 A	E02485				1	1	1								
7-1	Plate HEX	XEK23616 A	E02773											1			
7-1	Plate HEX	XEK23914 A	E02774												1		
7-2	Expansion Valve	17C87881 B	E00580	1													
7-2	Expansion Valve	17C87882 B	E00856		1	1								2			
7-2	Expansion Valve	17C87883 B	E01716					1	1						2		
7-3	Strainer	17G62700 A	E01206	2	2	2	2	2	2	4	4						
7-4	Water Strainer	XEK36427 A	E02486	1	1	1	1	1	1	1	1	1	1	1			Body + Mesh + Gasket
7-4-1	Mesh	XEK36972 A	E02946	1	1	1	1	1	1	1	1	1	1	1			Ø35.8xL49 Before Serial Number 4JE05436
7-4-1	Mesh	XEK36972 B	E02948	1	1	1	1	1	1	1	1	1	1	1			Ø31.5xL46.5 After Serial Number 4JE05436 (4JE05436 included)
7-4-2	Gasket	XEK36973 A	E02947	1	1	1	1	1	1	1	1	1	1	1			Ø50xØ42x1 Before Serial Number 4JE05436
7-4-2	Gasket	XEK36974 A	E02949	1	1	1	1	1	1	1	1	1	1	1			Ø43xØ39xØ2 After Serial Number 4JE05436 (4JE05436 included)
7-5	Union	27JR0609	E02935	1													Liquid Connection
7-5	Union	27JR0913	E02487		1	1	1	1	1	1	1	1	1	1			Liquid Connection
7-5	Union	27JR1313	E02775											1			Liquid Connection
7-6	Union	27JR1717	E02488	1	1	1	1	1	1	1	1	1	1	1			Gas Connection
7-7	Flare Nut	25JR0600	E02936	1													Liquid Connection
7-7	Flare Nut	25JR0900	E02489		1	1	1	1	1	1	1	1	1	1			Liquid Connection
7-7	Flare Nut	25JR1300	E02776											1			Liquid Connection
7-8	Flare Nut	25JR1700	E02490	1	1	1	1	1	1	1	1	1	1	1			Gas Connection
7-9	Pipe 4	XEK37030 A	E03668	1	1	1	1	1	1	1	1	1	1	1			Vessel Connection
7-9	Pipe 4	XEK37031 A	E03669											1	1		Vessel Connection
7-10	Union	XEK36106 B	E02492	2	2	2	2	2	2	2	2	2	2	2			Water Connection
8	Manometer	XEK36141 A	E02493	1	1	1	1	1	1	1	1	1	1	1			
9	Pressure Switch	XEK37744 A	E02494	1	1	1	1	1	1	1	1	1	1	1			
10	LCD Control	XEK36928 A	E02495		1	1	1	1	1	1	1	1	1	1			Before Serial Number 4HE87914
10	LCD Control	XEK36928 B	E02777	1	1	1	1	1	1	1	1	1	1	1			From Serial Number 4HE89240 to 4JE94362
10	LCD Control	XEK36928 D	E03478	1	1	1	1	1	1	1	1	1	1	1			After Serial Number 4JE94363
11	Gasket	XEK35682 A	E02496	4	4	4	4	4	4	4	4	4	4	4			for Electric Heater and Pump connections
12	Gasket	XEK36144 A	E02497	1	1	1	1	1	1	1	1	1	1	1			for Expansion Vessel connection
13	Cover Assy.	XEK11821 A	E02498	1	1	1	1	1	1	1	1	1	1	1			Assembly (Screws and Washers not included)

PRODUCT CODE  
MODEL NAME

7E474003	RWM-2.0FSN3E, 1-230V 50Hz
7E474016	RWM-2.0HFSN3E, 1-230V 50Hz
7E474005	RWM-3.0FSN3E, 1-230V 50Hz
7E474018	RWM-3.0HFSN3E, 1-230V 50Hz
7E474107	RWM-4.0FSN3E, 1-3N-230/400V 50Hz
7E474120	RWM-4.0HFSN3E, 1-3N-230/400V 50Hz
7E474108	RWM-5.0FSN3E, 1-3N-230/400V 50Hz
7E474121	RWM-5.0HFSN3E, 1-3N-230/400V 50Hz
7E474109	RWM-6.0FSN3E, 1-3N-230/400V 50Hz
7E474122	RWM-6.0HFSN3E, 1-3N-230/400V 50Hz
7E474110	RWM-8.0FSN3E, 3N-400V 50Hz
7E474123	RWM-8.0HFSN3E, 3N-400V 50Hz
7E474111	RWM-10.0FSN3E, 3N-400V 50Hz
7E474124	RWM-10.0HFSN3E, 3N-400V 50Hz

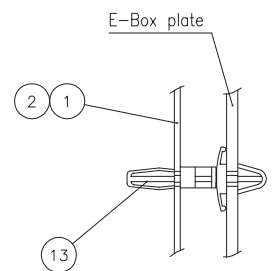
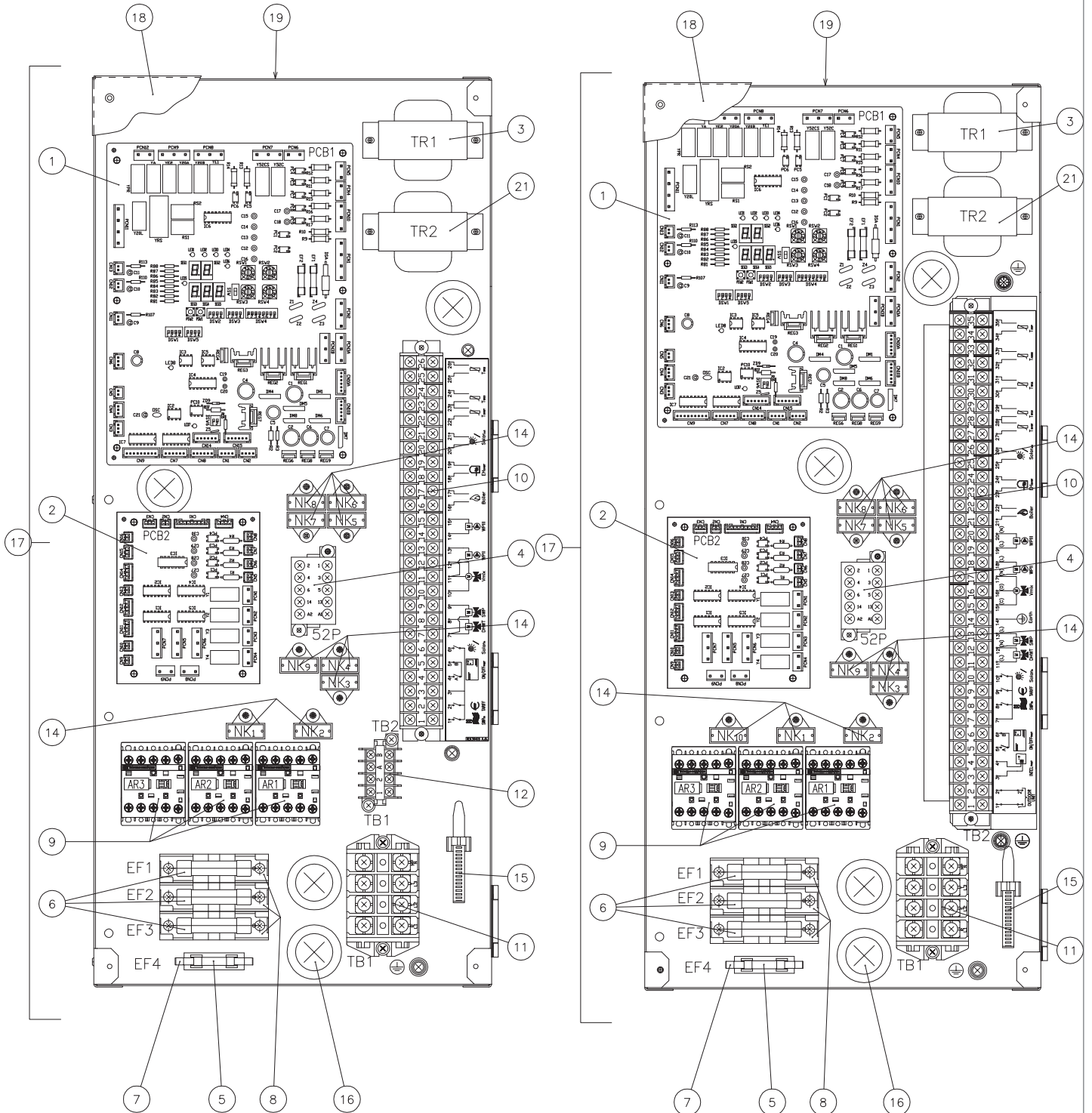
No.	DESCRIPTION	DWG No.	PART No.	Qty	Qty	Qty	Qty	Qty	Qty	Qty	REMARKS	
13	Cover Assy.	XEK11822 A	E02778							1	1	Assembly (Screws and Washers not included)
13-1	LCD Cover	-	E02499	1	1	1	1	1	1	1	1	Assembly (LCD Cover + Spacers + Washers)
13-2	Magnet	XEK36622 A	E02500	2	2	2	2	2	2	2	2	
14	Screw	XEK40091 A	E02501	2	2	2	2	2	2	2	2	for Cover Assy fixing
15	Nylon Washer	XEK40093 B	E02547	2	2	2	2	2	2	2	2	for Cover Assy fixing (material: nylon)
16	Washer	01VF0400	E02548	2	2	2	2	2	2	2	2	for Cover Assy fixing (material: steel)
17	Shutdown Valve (1-1/4")	XEK36498 A	E02503	2	2	2	2	2	2	2	2	
18	Clamp	XEK36297 A	E02504	2	2	2	2	2	2	2	2	for installer wiring
19	Pump Insulation	XEK36435 A	E02505	1	1							only insulation around the Pump
19	Pump Insulation	XEK36436 A	E02506			1	1	1				only insulation around the Pump
19	Pump Insulation	XEK36763 A	E02779							1	1	only insulation around the Pump
20	Union	XEK36303 A	E02507	1	1	1	1	1	1	1	1	for Security Valve drain connection
21	Thermistor Assy	XEK23926 A	E02780	1	1	1	1	1				THM G (Gas)
21	Thermistor Assy	XEK23926 C	E02781							1	1	THM G (Gas)
22	Thermistor Assy	XEK23926 B	E02782	1	1	1	1	1	1			THM L (Liquid)
22	Thermistor Assy	XEK23926 D	E02783							1	1	THM L (Liquid)
23	Thermistor Assy	XEK23925 A	E02784	1	1	1	1	1				THM WI (Water In)
23	Thermistor Assy	XEK23925 D	E02785							1	1	THM WI (Water In)
24	Thermistor Assy	XEK23925 B	E02786	1	1	1	1	1				THM WO (Water Out)
24	Thermistor Assy	XEK23925 E	E02787							1	1	THM WO (Water Out)
25	Thermistor Assy	XEK23925 C	E02788	1	1	1	1	1				THM WOHP (Water Out PHEX) Before Serial Number 4JE94362
25	Thermistor Assy	XEK23925 F	E02789							1	1	THM WOHP (Water Out PHEX) Before Serial Number 4JE94362
25	Thermistor Assy	XEK24610 C	E03670	1	1	1	1	1				THM WOHP (Water Out PHEX) After Serial Number 4JE94363
25	Thermistor Assy	XEK24610 F	E03671							1	1	THM WOHP (Water Out PHEX) After Serial Number 4JE94363
26	Pump Pipe Assy 1	XEK37025 B	E02513	1	1	1	1	1	1	1	1	
27	Pump Pipe Assy 2	XEK37028 A	E02514	1	1	1	1	1	1	1	1	
28	Drain Pipe	XEK36103 A	E02546	1	1	1	1	1	1	1	1	Vinyl Tube (diameter 16mm - 1 meter length)
29	P-Spring	17G27651 B	E02549	1	1	1	1	1	1	1	1	for liquid THM fixing
30	P-Spring	17G27651 C	E02550	1	1	1	1	1				for gas THM fixing
30	P-Spring	17G31457 A	E02444							1	1	for gas THM fixing
31	P-Spring	XEK36252 A	E02551	3	3	3	3	3	3	3	3	for water THM fixing
32	Wall Support	XEK36145 A	E02552	1	1	1	1	1				
32	Wall Support	XEK36716 A	E02790							1	1	
33	Control Support	XEK36140 A	E02553	1	1	1	1	1	1			
33	Control Support	XEK36704 A	E02791							1	1	
34	Thermostat	XEK36413 A	E02938	1	1	1	1	1	1	1	1	Thermal cut-off thermostat for Electric heater. RWM-2.0/3.0 FSN3E Before 4JE31999 RWM-4.0/5.0/6.0 FSN3E Before 4JE22551 From 4JE23251 to 4JE24899 From 4JE27512 to 4JE28499 RWM-8.0/10.0 FSN3E Before 4JE56000
34	Thermostat	XEK37009 A	E02980	1	1	1	1	1	1	1	1	Thermal cut-off thermostat for Electric heater (Ther. Cap included). RWM-2.0/3.0 FSN3E After 4JE32000 RWM-4.0/5.0/6.0 FSN3E From 4JE22552 to 4JE23250 From 4JE24900 to 4JE27511 After 4JE28500 RWM-8.0/10.0 FSN3E After 4JE56001
35	Thermostat Cap	XEK36594 A	E02937	1	1	1	1	1	1	1	1	Protector Cap for Thermostat 34. RWM-2.0/3.0 FSN3E Before 4JE31999 RWM-4.0/5.0/6.0 FSN3E Before 4JE22551 From 4JE23251 to 4JE24899 From 4JE27512 to 4JE28499 RWM-8.0/10.0 FSN3E Before 4JE56000



No.	DESCRIPTION	DWG No.	PART No.	MODEL NAME										REMARKS					
				Qty	Qty	Qty	Qty	Qty	Qty	Qty	Qty	Qty	Qty						
				RWM-2.0FSN3E, 1~230V 50Hz	7E474003														
				RWM-2.0HFSN3E, 1~230V 50Hz	7E474016														
				RWM-3.0FSN3E, 1~230V 50Hz	7E474005														
				RWM-3.0HFSN3E, 1~230V 50Hz	7E474018														
				RWM-4.0FSN3E, 1~/3N~230/400V 50Hz	7E474107														
				RWM-4.0HFSN3E, 1~/3N~230/400V 50Hz	7E474120														
				RWM-5.0FSN3E, 1~/3N~230/400V 50Hz	7E474108														
				RWM-5.0HFSN3E, 1~/3N~230/400V 50Hz	7E474121														
				RWM-6.0FSN3E, 1~/3N~230/400V 50Hz	7E474109														
				RWM-6.0HFSN3E, 1~/3N~230/400V 50Hz	7E474122														
				RWM-8.0FSN3E, 3N~400V 50Hz	7E474110														
				RWM-8.0HFSN3E, 3N~400V 50Hz	7E474123														
				RWM-10.0FSN3E, 3N~400V 50Hz	7E474111														
				RWM-10.0HFSN3E, 3N~400V 50Hz	7E474124														
1	PCB1	XEK36406 A	E02515		1	1	1	1	1										Before Serial Number 4HE87914
1	PCB1	XEK36406 B	E02727	1	1	1	1	1	1	1	1	1	1	1					From Serial Number 4HE89240 to 4JE94362
1	PCB1	XEK36406 C	E03475	1	1	1	1	1	1	1	1	1	1	1					After Serial Number 4JE94363
2	PCB2	17G92435 G	E01891	1	1	1	1	1	1	1	1	1	1	1					
3	Transformer 1	XEK36618 A	E03218	1	1	1	1	1	1	1	1	1	1	1					
4	Magnetic Contactor	17B26115 D	E01873	1	1	1	1	1	1	1	1	1	1	1					16 A
5	Fuse	XEK37363 A	E00003	1	1	1	1	1	1	1	1	1	1	1					3.15 A
6	Fuse	XEK32373 A	EC00035	3	3														6 A
6	Fuse	XEK32373 C	EC00071			3	3	3											12 A
6	Fuse	XEK32373 E	EC00454							3	3								16 A
7	Fuse Holder	17C68766 A	E02516	1	1	1	1	1	1	1	1	1	1	1					
8	Fuse Holder	17C66740 A	E01015	3	3	3	3	3	3	3	3	3	3	3					
9	Magnetic Contactor	XEK23686 A	E02517	3	3	3	3	3	3	3	3	3	3	3					12 A
10	Terminal Board	17P00835 K	E02518		1	1	1	1	1										Before Serial Number 4HE87914
10	Terminal Board	17P00835 N	E02792	1	1	1	1	1	1	1	1	1	1	1					After Serial Number 4HE89240
11	Terminal Board	XEK34375 A	E02519	1	1	1	1	1	1	1	1	1	1	1					
12	Terminal Board	17C69180 A	E01089		1	1	1	1	1										Before Serial Number 4HE87914 (After Serial Number 4HE89240 not necessary)
13	Spacer	XEK30992 B	P19112	10	10	10	10	10	10	14	14								
14	Spark Killer	17C15431 A	P14366		9	9	9	9											Before Serial Number 4HE87914
14	Spark Killer	17C15431 A	P14366	10	10	10	10	10	10	10	10	10	10	10					After Serial Number 4HE89240
15	Clamp	XEK31150 A	E02012	1	1	1	1	1	1	1	1	1	1	1					
16	Rubber Bush	XEK32468 A	E02060	10	10	10	10	10	10	10	10	10	10	10					
17	Electrical Box	XEK01156 A	E02793	1	1														Assembly (Components + Harness)
17	Electrical Box	XEK01156 B	E02794			1	1	1											Assembly (Components + Harness)
17	Electrical Box	XEK01157 A	E02795							1	1								Assembly (Components + Harness)
18	E-Box Cover Assy	XEK36519 A	E02554		1	1	1	1											(Plate + Labels) Before Serial Number 4HE87914
18	E-Box Cover Assy	XEK36677 A	E02796	1	1	1	1	1	1										(Plate + Labels) After Serial Number 4HE89240
18	E-Box Cover Assy	XEK36677 B	E02797							1	1								(Plate + Labels)
19	E-Box SubAssy	XEK23620 A	E02555		1	1	1	1											Only plate (without components) Before Serial Number 4HE87914
19	E-Box SubAssy	XEK23921 A	E02798	1	1	1	1	1											Only plate (without components) After Serial Number 4HE89240
19	E-Box SubAssy	XEK23921 B	E02799							1	1								Only plate (without components)
20	PCB3	XEK36694 A	E02800							1	1								
21	Transformer 2	XEK36618 B	E03219	1	1	1	1	1	1	1	1	1	1	1					

BEFORE SERIAL NUMBER 4HE87914

AFTER SERIAL NUMBER 4HE89240



EPN-201010E-3B