

(P0162x-01)

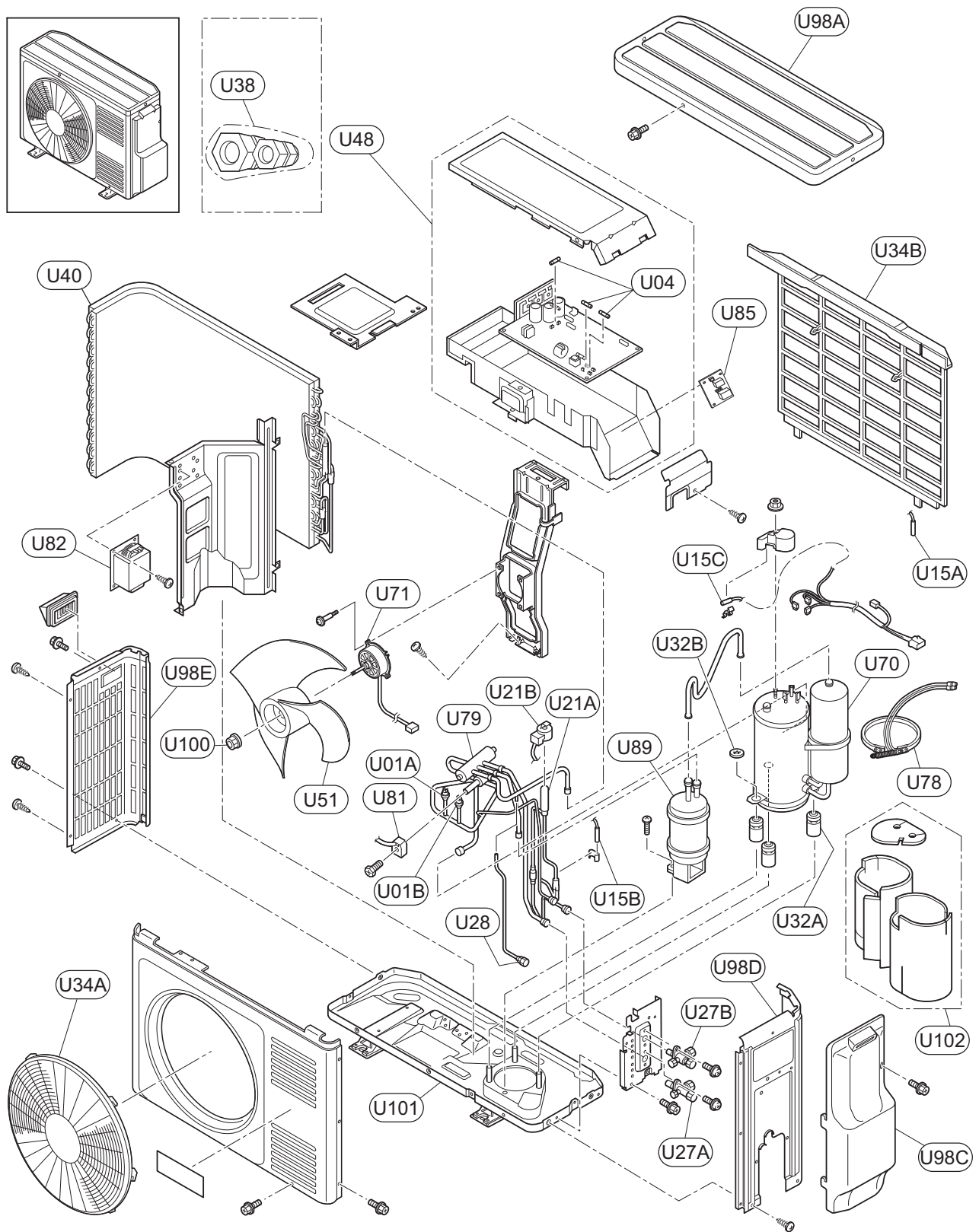
NO.	PART NAME	REPLACEMENT PART		Q'TY PER UNIT	SUMMARY	UNIT VOLTAGE CATEGORY										CATEGORY CODE	VOLTAGE (V)	FREQUENCY(HZ)	PHASES
		DRAW. NO.	ORDER NO.			V													
U01A	PRESSURE SW	17C83435A	P26839	1	HIGH PRESSURE	V													
U01B	PRESSURE SW	17C90587A	P27469	1	FOR CONTROL	V													
U04	FUSE	17A19127A	P27478	3	3A	V										V	230	50	1
U15A	THERMISTOR	17C59663E	P23505	1	TA	V													
U15B	THERMISTOR	17C59664D	P23504	1	TE	V													
U15C	THERMISTOR	17C90955A	P27474	1	TD	V													
U21A	EXP. VALVE	17A18993A	P27470	1		V													
U21B	COIL FOR EXP. VALVE	17A18996A	P27471	1		V													
U27A	STOP VALVE	17F06327A	P28927	1	GAS LINE	V													
U27B	STOP VALVE	17F06325A	P29109	1	LIQUID LINE	V													
U28	CHECK JOINT	17C75461B	P25933	1		V													
U32A	VIBRATION ABSORBER	17G89712A	P27461	3		V													
U32B	VIBRATION ABSORBER	17G89713A	P27463	2		V													
U34A	AIR GRILLE	17A19842A	P27734	1	OUTLET	V													
U34B	AIR GRILLE	17A18972A	P27451	1	INLET	V													
U38	PIPING SET	17G90845A	P27554	1		V													
U40	CONDENSER ASSEMBLY	17B38804A	P27465	1		V													
U48	ELECTRICAL BOX ASS'Y	17H12854P	P29993	1		V													
U51	PROPELLER FAN	17H16813A	P27454	1		V													
U70	COMPRESSOR	17C90958E	P28555	1		V													
U71	MOTOR	17A23294A	P29515	1		V													
U78	OIL HEATER	17A19294A	P27556	1		V													
U79	FOUR-WAY VALVE ASS'Y	17C76061A	P26440	1		V													
U81	COIL FOR 4-WAY VALVE	17C74970A	P26678	1		V													
U82	REACTOR	17A18986A	P27482	1		V													
U85	PRINTED CIRCUIT BOARD	17G64408B	P27839	1		V													
U89	ACCUMULATOR	17F08276A	P29111	1		V													
U98A	CABINET PANEL	17A18973B	P27656	1		V													
U98B	CABINET PANEL	17B38685B	P27657	1		V													
U98C	CABINET PANEL	17A18978A	P27448	1		V													
U98D	CABINET PANEL	17C91216A	P27449	1		V													
U98E	CABINET PANEL	17A21936A	P28607	1		V													
U100	SPECIAL NUT	17B38717A	P27456	1	for Propeller Fan	V													
U101	BOTTOM BASE ASSY	17B44736A	P29766	1		V													
U102	SOUNDPROOF COVER	17C91217A	P27464	1		V													

NO.	PART NAME	REPLACEMENT PART		Q'TY PER UNIT	SUMMARY	UNIT VOLTAGE CATEGORY							CATEGORY CODE	(P0162x-02)				
		DRAW. NO.	ORDER NO.			V								VOLTAGE (V)	FREQUENCY(HZ)	PHASES		
U01A	PRESSURE SW	17C83435A	P26839	1	HIGH PRESSURE	V												
U01B	PRESSURE SW	17C90587A	P27469	1	FOR CONTROL	V												
U04	FUSE	17A19127A	P27478	3	3A	V								V	230	50	1	
U15A	THERMISTOR	17C59663E	P23505	1	TA	V												
U15B	THERMISTOR	17C59664D	P23504	1	TE	V												
U15C	THERMISTOR	17C90955A	P27474	1	TD	V												
U21A	EXP. VALVE	17A18993A	P27470	1		V												
U21B	COIL FOR EXP. VALVE	17A18996A	P27471	1		V												
U27A	STOP VALVE	17F06327A	P28927	1	GAS LINE	V												
U27B	STOP VALVE	17F06325A	P29109	1	LIQUID LINE	V												
U28	CHECK JOINT	17C75461B	P25933	1		V												
U32A	VIBRATION ABSORBER	17G89712A	P27461	3		V												
U32B	VIBRATION ABSORBER	17G89713A	P27463	2		V												
U34A	AIR GRILLE	17A19842A	P27734	1	OUTLET	V												
U34B	AIR GRILLE	17A18972A	P27451	1	INLET	V												
U38	PIPING SET	17G90845A	P27554	1		V												
U40	CONDENSER ASSEMBLY	17B38804A	P27465	1		V												
U48	ELECTRICAL BOX ASS'Y	17H12854P	P29993	1		V												
U51	PROPELLER FAN	17H16813A	P27454	1		V												
U70	COMPRESSOR	17F07817B	P28913	1		V												
U71	MOTOR	17A23294A	P29515	1		V												
U78	OIL HEATER	17B42961B	P29539	1		V												
U79	FOUR-WAY VALVE ASS'Y	17C76061A	P26440	1		V												
U81	COIL FOR 4-WAY VALVE	17C74970A	P26678	1		V												
U82	REACTOR	17A18986A	P27482	1		V												
U85	PRINTED CIRCUIT BOARD	17G64408B	P27839	1		V												
U89	ACCUMULATOR	17F08276A	P29111	1		V												
U98A	CABINET PANEL	17A18973B	P27656	1		V												
U98B	CABINET PANEL	17B38685B	P27657	1		V												
U98C	CABINET PANEL	17A18978A	P27448	1		V												
U98D	CABINET PANEL	17C91216A	P27449	1		V												
U98E	CABINET PANEL	17A21936A	P28607	1		V												
U100	SPECIAL NUT	17B38717A	P27456	1	for Propeller Fan	V												
U101	BOTTOM BASE ASSY	17B44736A	P29766	1		V												
U102	SOUNDPROOF COVER	17C91217C	P28993	1		V												

V

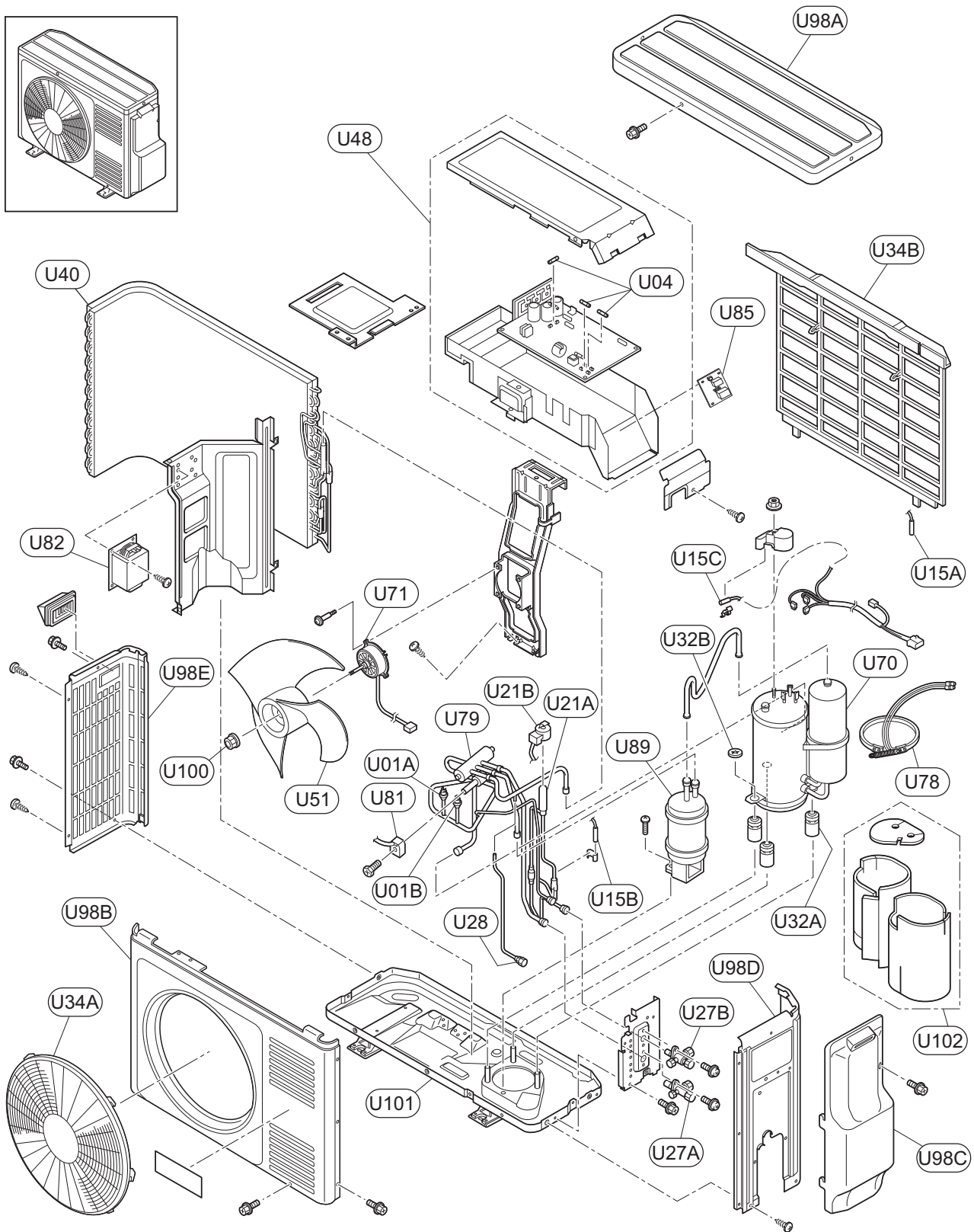
(P0162x-03)

NO.	PART NAME	REPLACEMENT PART		Q'TY PER UNIT	SUMMARY	UNIT VOLTAGE CATEGORY										CATEGORY CODE	VOLTAGE (V)	FREQUENCY(HZ)	PHASES
		DRAW. NO.	ORDER NO.			V													
U01A	PRESSURE SW	17C83435A	P26839	1	HIGH PRESSURE	V													
U01B	PRESSURE SW	17C90587A	P27469	1	FOR CONTROL	V													
U04	FUSE	17A19127A	P27478	3	3A	V									V	230	50	1	
U15A	THERMISTOR	17C59663E	P23505	1	TA	V													
U15B	THERMISTOR	17C59664D	P23504	1	TE	V													
U15C	THERMISTOR	17C90955A	P27474	1	TD	V													
U21A	EXP. VALVE	17A19756A	P27689	1		V													
U21B	COIL FOR EXP. VALVE	17A19754A	P27690	1		V													
U27A	STOP VALVE	17C93039A	P27691	1	GAS LINE	V													
U27B	STOP VALVE	17C87971A	P27030	1	LIQUID LINE	V													
U28	CHECK JOINT	17C75461B	P25933	1		V													
U32A	VIBRATION ABSORBER	17G89712A	P27461	3		V													
U32B	VIBRATION ABSORBER	17G89713A	P27463	1		V													
U34A	AIR GRILLE	17A19842A	P27734	1	OUTLET	V													
U34B	AIR GRILLE	17A18972A	P27451	1	INLET	V													
U40	CONDENSER ASSEMBLY	17B38804B	P28995	1		V													
U48	ELECTRICAL BOX ASS'Y	17H12854P	P29993	1		V													
U51	PROPELLER FAN	17H16813A	P27454	1		V													
U70	COMPRESSOR	17F07817C	P28914	1		V													
U71	MOTOR	17A23294A	P29515	1		V													
U78	OIL HEATER	17A19294A	P27556	1		V													
U79	FOUR-WAY VALVE ASS'Y	17C76061A	P26440	1		V													
U81	COIL FOR 4-WAY VALVE	17C74970A	P26678	1		V													
U82	REACTOR	17A18986A	P27482	1		V													
U85	PRINTED CIRCUIT BOARD	17G64408B	P27839	1		V													
U89	ACCUMULATOR	17F08276A	P29111	1		V													
U98A	CABINET PANEL	17A18973B	P27656	1		V													
U98B	CABINET PANEL	17B38685B	P27657	1		V													
U98C	CABINET PANEL	17A18978A	P27448	1		V													
U98D	CABINET PANEL	17C91216A	P27449	1		V													
U98E	CABINET PANEL	17A21936A	P28607	1		V													
U100	SPECIAL NUT	17B38717A	P27456	1	for Propeller Fan	V													
U101	BOTTOM BASE ASSY	17B44736A	P29766	1		V													
U102	SOUNDPROOF COVER	17C91217B	P29862	1		V													



**NOTE:**

The parts without order number are the custom-ordered, and these are not mentioned in the price list. When ordering them, the part name and the drawing number are required. Contact your HITACHI distributor for the delivery date and price about them.



**NOTE:**

The parts without order number are the custom-ordered, and these are not mentioned in the price list. When ordering them, the part name and the drawing number are required. Contact your HITACHI distributor for the delivery date and price about them.