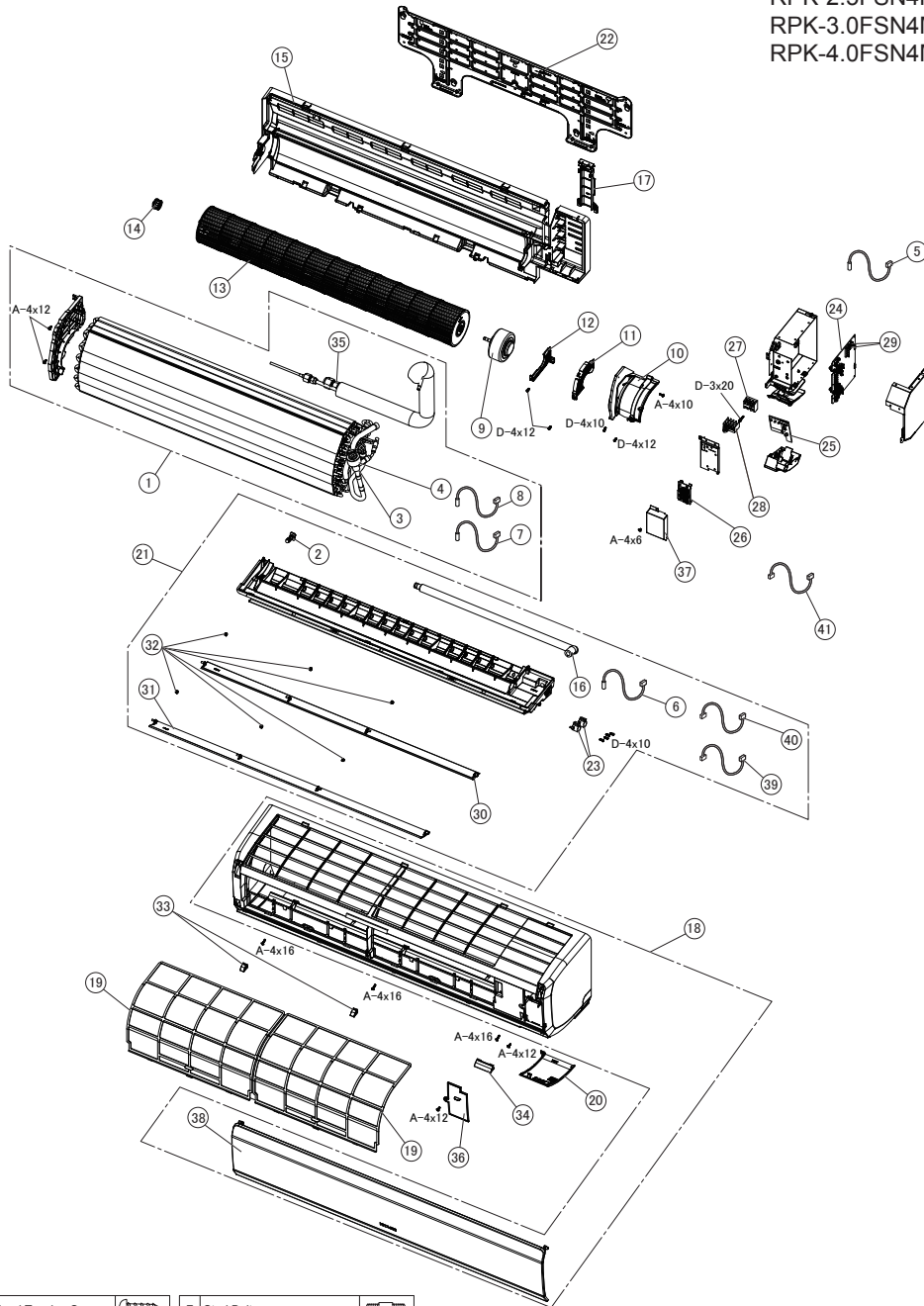


					(P0186x-03)			
					Voltage			
					230V/50Hz			
No.	Part Name	Replacement Part		Remarks	Q'ty Per Unit			
		Draw. No.	Order No.		RPK- 2.0FSN4M	RPK- 2.5FSN4M	RPK- 3.0FSN4M	RPK- 4.0FSN4M
1	Heat Exchanger	17H35753C	P31726		1			
	Heat Exchanger	17H35753E	P31728			1	1	1
2	Condensate Cap	17F23672A	P31730		1	1	1	1
3	Expansion Valve	17F04391A	P28701	Fujikoki Corporation, PAM-B40YGHS-1	1			
	Expansion Valve	17F04392A	P28702	Fujikoki Corporation, PAM-B80YGHS-1		1	1	1
4	Motor for EXPV	17F04390G	P29630	Fujikoki Corporation, PAM-MD12HS-11	1	1	1	1
5	Thermistor	17B24544H	P31000	THM1 for Air Inlet	1	1	1	1
6	Thermistor	17B38999A	P29626	THM2 for Air Outlet	1	1	1	1
7	Thermistor	17B42636D	P29628	THM3 for Freeze Protection	1	1	1	1
8	Thermistor	17B42635D	P29627	THM5 for Gas Line	1	1	1	1
9	Fan Motor	17F23725A	P31731	DC, 38W	1	1	1	
	Fan Motor	17F23725B	P31732	DC, 38W				1
10	Motor Clamp	17F23673A	P31733		1	1	1	1
11	Motor Clamp	17F23674A	P31734		1	1	1	1
12	Motor Clamp	17F23675A	P31735		1	1	1	1
13	Fan	17F23676A	P31736		1	1	1	1
14	Bearing	17C85253A	P26601		1	1	1	1
15	Cabinet Assy	17A28080A	P31737		1	1	1	1
16	Condensate Hose	17B49672A	P31738		1	1	1	1
17	Pipe Cover	17A28081A	P31739		1	1	1	1
18	Cabinet Cover Assy	17A28082A	P31740	Including part No.38 Flat Panel	1	1	1	1
19	Filter	17A28063B	P31916		2	2	2	2
20	Receiver Cover	17F23678B	P31917		1	1	1	1
21	Condensate Pan Assy	17A28084A	P31743		1	1	1	1
22	Mounting Plate	17A28085A	P31744		1	1	1	1
23	AS Motor	17A18041A	P27077		2	2	2	2
24	PCB-S	17H30829C	P31924	PI-151-S for Control	1	1	1	1
25	PCB-S	17A28562A	P31918	for Receiver	1	1	1	1
26	PCB-S	17H31294B	P31925	for Switch	1	1	1	1
27	Terminal Block	17C85280A	P26616	for Power Supply Circuit	1	1	1	1
28	Terminal Block	17C85281A	P26618	for Control Circuit	1	1	1	1
29	Fuse	17C90851 A	P27957	Fuse on PI-151-S, 5A	2	2	2	2
30	Horizontal Blade	17A28087A	P31746	Upper Side	1	1	1	1
31	Horizontal Blade	17A28088A	P31747	Lower Side	1	1	1	1
32	Bush	17F23679A	P31748		6	6	6	6
33	Screw Cap	17F23680A	P31749		2	2	2	2
34	Screw Cap	17F23681A	P31750		1	1	1	1
35	Flare Nut	17E20872C	R4226	φ12.7	1			
	Flare Nut	17E20872D	R4227	φ15.88		1	1	1
36	Switch Cover	17F23683A	P31751		1	1	1	1
37	Switch Cover	17F12199A	P29709		1	1	1	1
38	Flat Panel	17F23682A	P31752	with "HITACHI" Logo	1	1	1	1
39	Code	17F23686A	P31755	CN17 for AS Motor (Black)	1	1	1	1
40	Code	17F23686B	P31756	CN17 for AS Motor (White)	1	1	1	1
41	Code	17F23687A	P31757	CN5A for PCB-S for Receiver	1	1	1	1

MODEL: RPK-2.0FSN4M
 RPK-2.5FSN4M
 RPK-3.0FSN4M
 RPK-4.0FSN4M



A Truss Head Tapping Screw		F Stud Bolt	
B Round Head Screw		G Nut	
C Flat Head Screw		H Washer	
D Pan Head Tapping Screw		J Spring Lock Washer	
E Hexagon Head Bolt		K Toothed Lock Washer	

NOTE:
 The uncoated coating is applied to iron and steel material for the unspecified materials of the bolt and screw.

NOTE:

The parts without order number are the custom-ordered, and these are not mentioned in the price list. When ordering them, the part name and the drawing number are required. Contact your HITACHI distributor for the delivery date and price about them.