

<b>A</b> Truss Head Tapping Screw		<b>D</b> Flat Head Tapping Screw	
<b>B</b> Bolt/Washer Combination		<b>E</b> Hex Flange Self-tapping Screw	
<b>C</b> Hexagon Head Tapping Screw		<b>F</b> Nut	

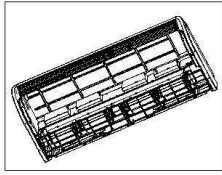
**NOTE:**  
The unchromated coating is applied to iron and steel material for the unspecified materials of the bolt and screw.

**NOTE:**  
The parts without order number are the custom-ordered, and these are not mentioned in the price list. When ordering them, the part name and the drawing number are required. Contact your distributor for the delivery date and price about them.

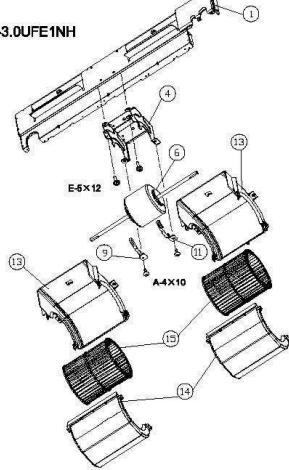
Hitachi-Johnson Controls Air Conditioning, Inc.

3	HIS1527345	Back Board	1	
7	HIS1527358	Base Holder	1	
10	HIS1527368	Top Plate	1	
13	S1540492	Foam	1	Left Under Top Plate
14	S1540491	Foam	1	Right Under Top Plate
16	S1522337	Mounting Plate	1	Left
17	S1522338	Mounting Plate	1	Right
18	S1522339	Mounting Plate	2	Bottom
20	S1882635	Wind Board	1	
22	HIS1843199	Axis Sheath	1	
23	S1850981	Step Motor	1	
24	S1843516	Step Motor Box	1	
25	S1940550	Mounting Plate	2	
28	HIS1933413	Evaporator	1	Including 33 and 35
31	HIS1558477	Supporting	1	Left and Small
33	HIS1542400	Supporting	1	Left and Big
34	HIS1543389	Supporting	1	Right and Small
35	HIS1543563	Supporting	1	Right and Big
40	S1523477	Center Staff	2	
41	S1522548	Center Staff	1	
42	S1522549	Brace	1	
43	S1815229	Synchronous Motor	1	
48	S1522509	Panel	1	
50	S1540838	Display Board	1	
51	S1522529	Decorative Panel	1	
52	S1958643	Display Film	1	
53	S1522520	Air-inlet Grille	1	Small
54	S1522518	Air-inlet Grille	1	Big
55	S1522534	Decorative Cover	4	
56	S1522532	Hinge	5	
57	S1522536	Fixed Board	5	
58	S1522522	Filter Net	1	Small
59	S1522521	Filter Net	1	Big
60	HIS1542360	Fixed Board	1	
61	S1522537	Side Cover	1	Left
62	S1522538	Side Cover	1	Right

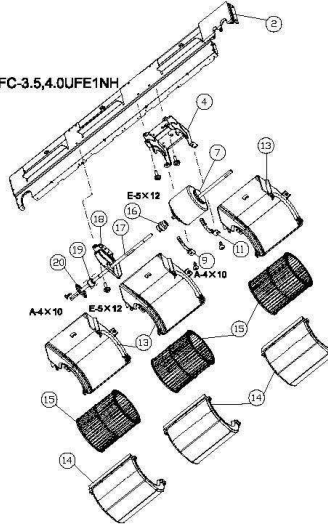
< Fan >



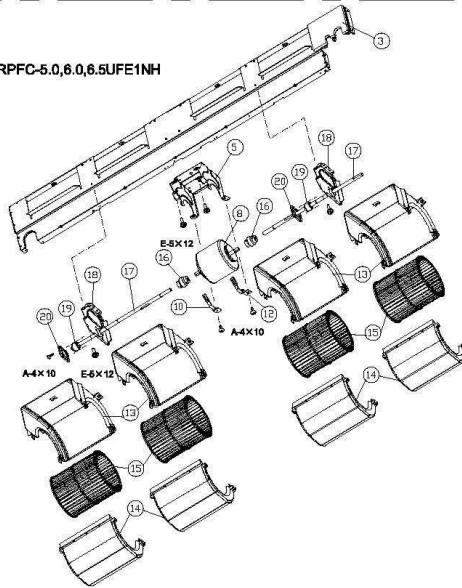
RPF-3.0UFE1NH



RPF-3.5,4.0UFE1NH



RPF-5.0,6.0,6.5UFE1NH



A	Trim Head Tapping Screw		D	Flan Head Tapping Screw	
B	Bolt/Washer Combinations		E	Hex Flange Self-tapping Screw	
C	Hexagon Head Tapping Screw		F	Nut	

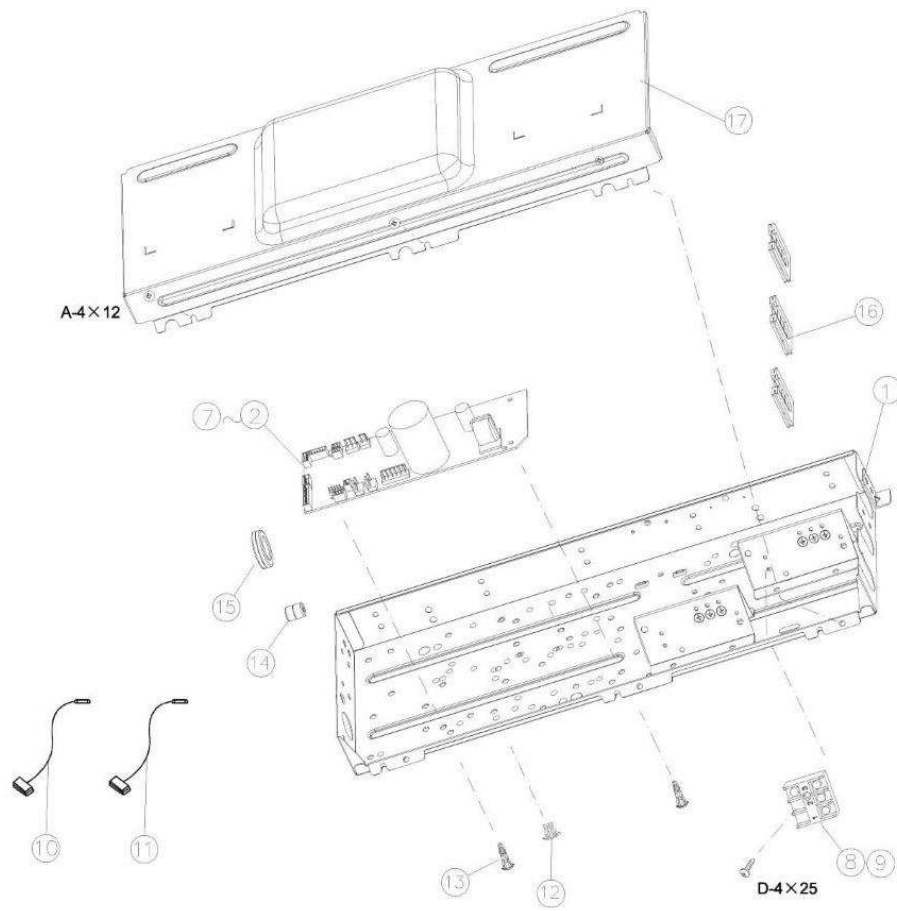
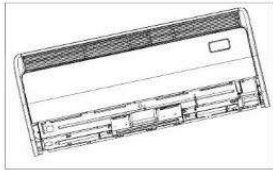
NOTE:  
The unchromated coating is applied to iron and steel material for the unspecified materials of the bolt and screw.

NOTE:  
The parts without order number are the custom-ordered, and these are not mentioned in the price list.  
When ordering them, the part name and the drawing number are required.  
Contact your distributor for the delivery date and price about them.

Hitachi-Johnson Controls Air Conditioning, Inc.

2	HIS1527630	Clapboard	1	
4	HIS1572764	Motor Supporter	1	
7	S1571562	DC Motor	1	
9	S1806660	Motor Hoop	1	Left
11	S1806661	Motor Hoop	1	Right
13	S1522498	Fan Volute	3	Upper
14	S1522499	Fan Volute	3	Lower
15	S1522474	Centrifugal Fan Blade	3	Φ166×191.3
16	S1529322	Crosshead	1	
17	S1527437	Axes	1	
18	S1522348	Axletree Bracket	1	
19	S1529324	Bearing	1	
20	S1522341	Mounting Plate	1	

<Electrical Parts>



1	HIS1951736	Electric Box	1	
8	S1301881	Wire Terminal Board	1	
10	S1428008	Indoor Temperature Sensor	1	Indoor
11	S1527456	Temperature Sensor	1	Coil
12	S1463484	Buckle	1	Support
13	S1463485	Buckle	4	Fixation
14	S1214215	Rubber Band	1	
15	S1453352	Rubber Ring	1	
16	S1871405	Over Clamp	3	
17	HIS1522372	Electric Box Cover	1	