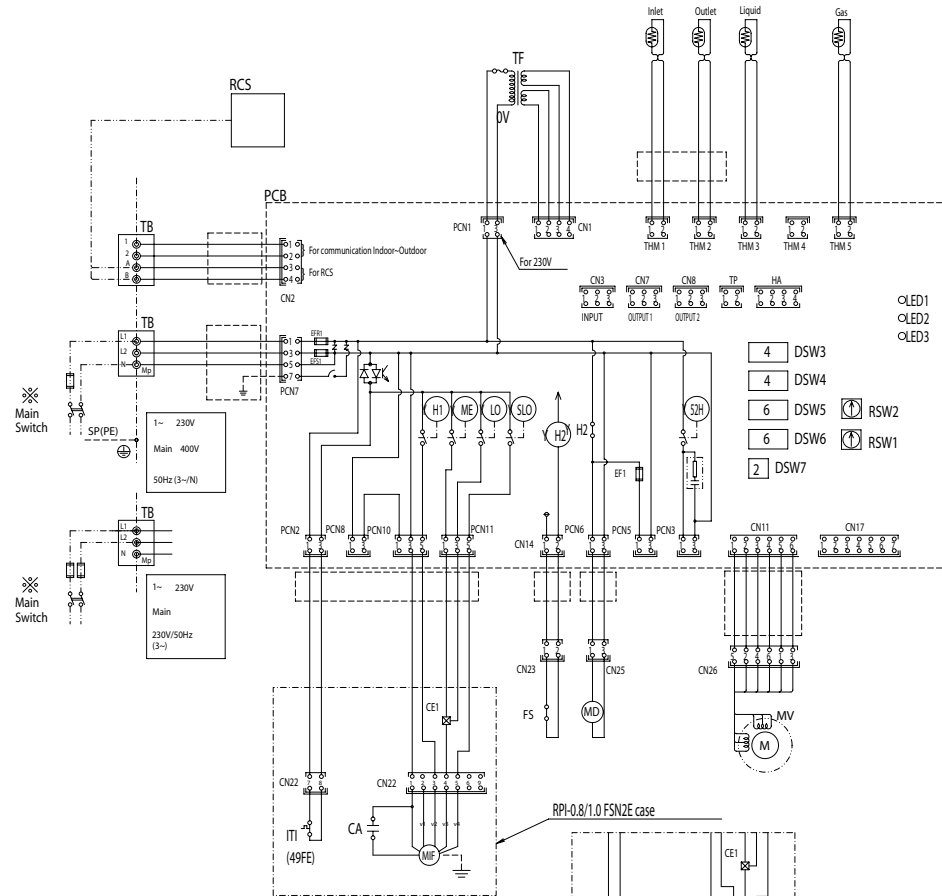
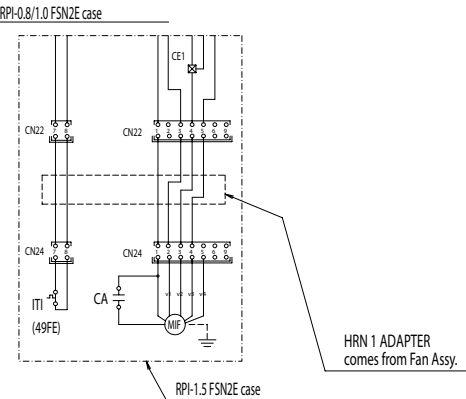
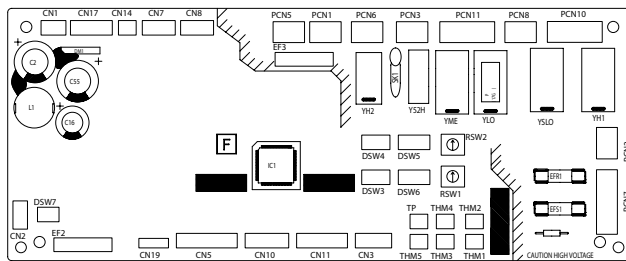


# SCHALTPLAN RPI-(1.5)FSn2E



PCB Sockets location



Mark	Part Name	Remarks
CA	Capacitor for Indoor Fan	
CN 22-26	Connector	
DSW 3	Unit Capacity Code	On PCB
DSW 5	Refrigerant Cycle n?	On PCB
DSW 6	Unit Code	On PCB
DSW 7	Fuse Recover / Remote Controller Selector	On PCB
EFR1	Fuse	On PCB
EFS1	Fuse	On PCB
FS	Float Switch	
ITI	Internal Thermostat for Indoor Fan Motor	
MD	Motor for Drain Discharge Mechanism	
MIF	Motor for Indoor Fan	
MV	Expansion Valve	
LED 1-3	Alarm Code	On PCB
PCB	Printed Circuit Board	
RCS	Remote Control Switch	Optional Part
RSW	Indoor Unit no. Settings	On PCB
SSW	Slide Switch	On PCB
TB	Terminal Board	
TF	Transformer	
THM 1	Inlet Air Thermistor	On PCB
THM 2	Outlet Air Thermistor	On PCB
THM 3	Liquid Pipe Thermistor	On PCB
THM 5	Gas Pipe Thermistor	On PCB
YH2	Relay for Drain Motor	DC Coil
YH1	Relay for HI Fan Motor Tap	DC Coil
YME	Relay for ME Fan Motor Tap	DC Coil
YLO	Relay for LO Fan Motor Tap	DC Coil
YSLO	Relay for SLO Fan Motor Tap	DC Coil
YS2H	Relay for Electric Heater	DC Coil
⊕	Terminals	
⊗	Close-end Connector	
※	Field Supplied	
⋯	Field Wiring	
---	Earth Wiring	
---	Factory Wiring	