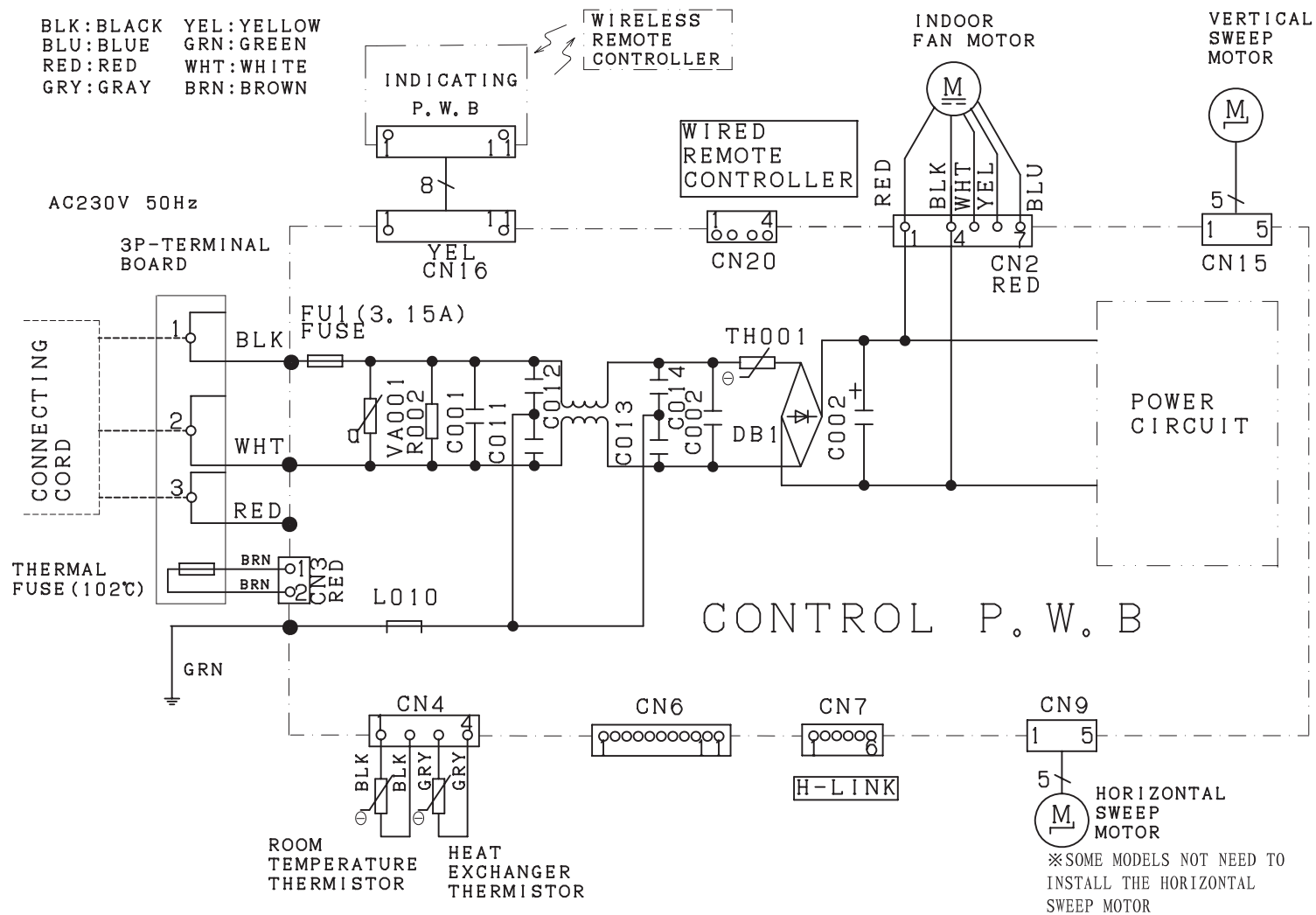


SCHALTPLAN RAK-(18-50)PPB



CAUTION ! HIGH VOLTAGE	TURN OFF THE POWER SOURCE DURING THE SERVICE WORK.
---------------------------	---