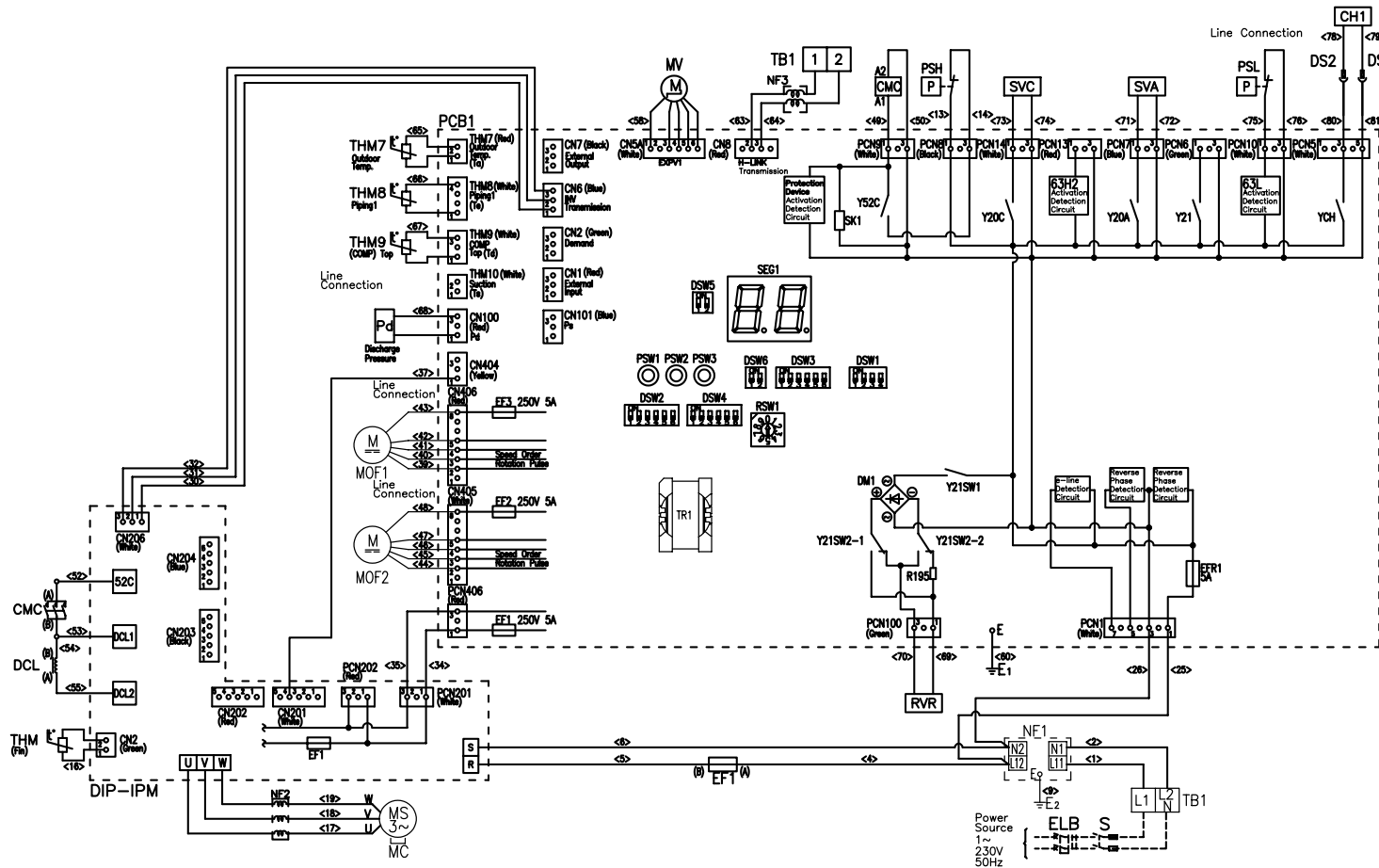


SCHALTPLAN RAS-(4-6)HVNPE



CODE TABLE	NAME	NOTE
MC	MOTOR (for COMPRESSOR use)	
MOF1,2	MOTOR (for FAN use)	
EF1	POWER FUSE	
RVR	4-WAY SOLENOID VALVE	
SVA,C	SOLENOID VALVE	
MV	ELECTRONIC EXPANSION VALVE	
CMC	WMS. CONDUCTOR (for COMPRESSOR use)	
TB1	TERMINAL STAND	
TR1	TRANSFORMER	On PCB
PCB1	PRINTED BOARD	
EFR1,3	FUSE	On PCB
EF1	FUSE	On DIP-IPM
Y20c	AUX-RELAY (for COMPRESSOR and MAGNETIC CONTACTOR use)	DC COIL
Y20a	AUX. RELAY (for SOLENOID VALVE use)	DC COIL
Y20c	AUX. RELAY (for SOLENOID VALVE use)	DC COIL
Y21sw	AUX. RELAY (for 4-WAY SOLENOID VALVE use)	DC COIL
Ych	AUX. RELAY (for OIL HEATER use)	DC COIL
DM1	DIODE MODULE	
THM7	THERMISTOR (for OUTDOOR TEMPERATURE use)	
THM8	THERMISTOR (for PIPING use)	
THM9	THERMISTOR (for TD use)	
THM	FAN THERMISTOR	
Pd	PRESSURE SENSOR (DISCHARGE SIDE)	
PSH	HIGH PRESSURE SWITCH (for PROTECTION)	
PSL	LOW PRESSURE SWITCH (for CONTROL)	
DCL	REACTOR	
DIP-IPM	INVERTER MODULE	
NF1~3	NOISE FILTER	
PSW1	SWITCH (for FORCED DEFROSTING use)	On PCB
PSW2	SWITCH (for CHECKING use (☉))	On PCB
PSW3	SWITCH (for CHECKING use (☼))	On PCB
DSW1	SWITCH (for TEST RUN use)	On PCB
DSW2	SWITCH (for AUX. FUNCTION SETTING use)	On PCB
DSW3	SWITCH (for OUTDOOR CAPACITY SETTING use)	On PCB
DSW4	SWITCH (for REFRIGERANT SYSTEM SETTING use)	On PCB
DSW5	SWITCH (for REFRIGERANT SYSTEM SETTING use)	On PCB
DSW6	SWITCH (for REFRIGERANT SYSTEM SETTING use)	On PCB
RSW1	SWITCH (for REFRIGERANT SYSTEM SETTING use)	On PCB
CH	OIL HEATER	
DS1,2	PLUG-IN CONNECTOR	
E1,2	EARTH	